

Outdoor Collection

Woodbridge Gas Fireplaces



SERPENTINE

SERPENTINE

Outdoor Gas Fireplace

Black powder coated
model shown

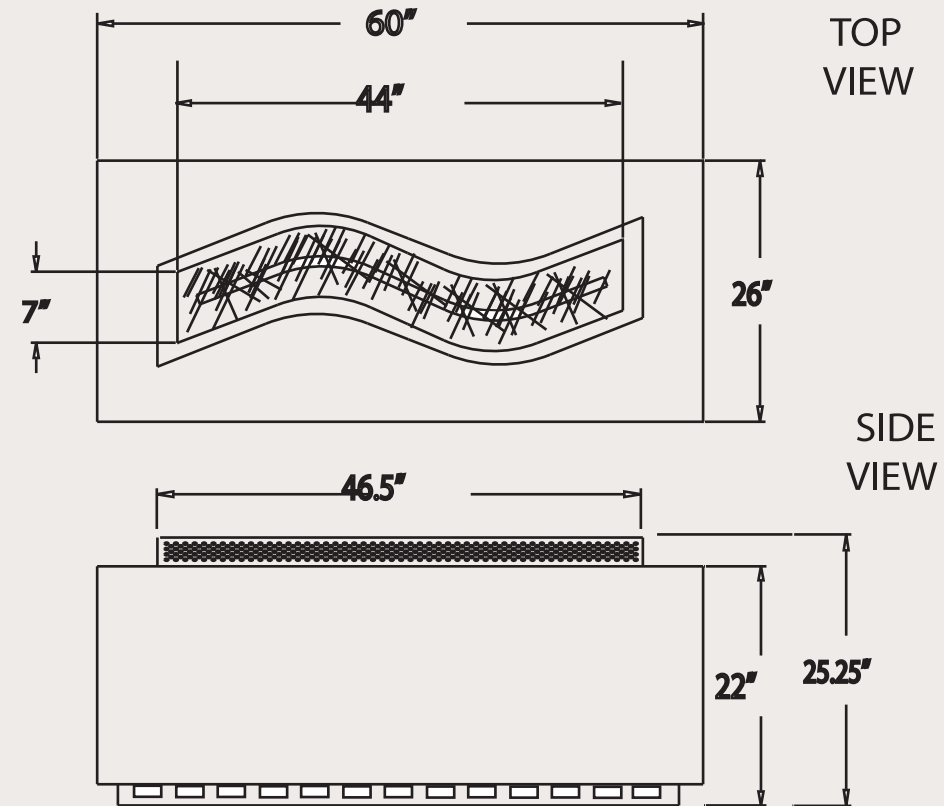
This beautiful gas fireplace will enhance and extend your outdoor living experience.

Outdoor Collection

Woodbridge Gas Fireplaces



SERPENTINE



Glass Clear Glass Green/Blue Glass Amber Glass Amethyst Glass Black Glass Stones

Standard Features:

- * Natural Gas or Propane models with 80,000 Btu/h input rate
- * Heavy duty vinyl cover protects from outdoor elements
- * Various glass media options for the burner area (*see above*)
- * Stainless steel 1/2" x 48" flex connector and gas shut-off valve
- * Electronic Ignition system with ON/OFF/Timer remote control
- * Battery backup allows use without external power source
- * Limited Lifetime Warranty on 304 stainless steel burner



Report # 401-O-07-5

Please refer to Owner's Manual for installation instructions

SHOWROOM OPEN TO THE PUBLIC:

1305 Meyerside Dr,
Mississauga, ON L5T 1C9
Phone: (905) 564-3001

www.woodbridgefp.com

