

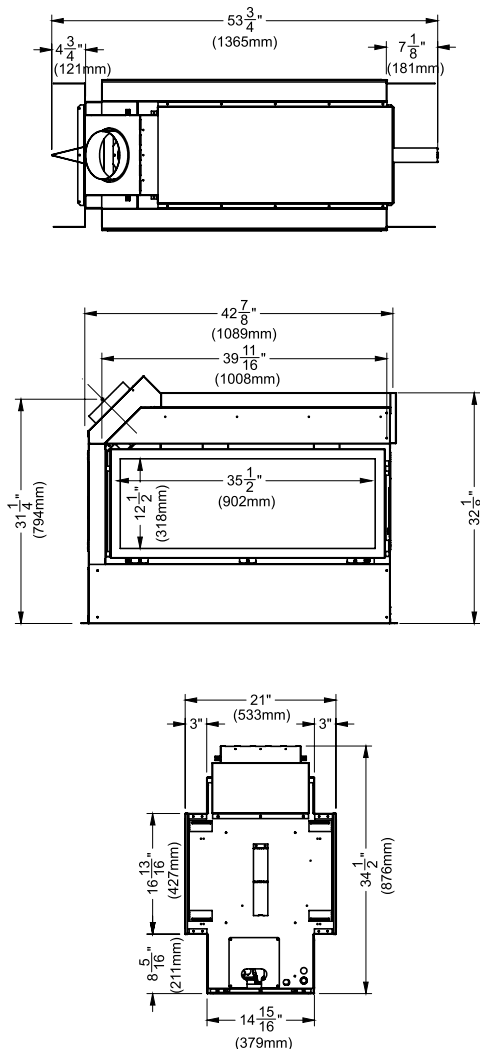
HZ42STE Gas Fireplace

Model	HZ42STE - NG10	HZ42STE-LP10
Fuel Type	Natural Gas	Propane Gas
Minimum Supply Pressure	5" W.C.(1.25 kPa)	12" W.C. (2.98 kPa)
Manifold Pressure - High	3.5" W.C. (0.87 kPa)	10" W.C. (2.49 kPa)
Manifold Pressure - Low	1.6" W.C. (0.40 kPa)	6.4" W.C. (1.59 kPa)
Orifice Size	#40 DMS	#53 DMS
Minimum Input Altitude 0-4500 ft. (0-1372m)	17,500 BTU/h (5.13 kW)	19,500 BTU/h (8.79kW)
Maximum Input Altitude 0-4500 ft. (0-1372m)	26,000 BTU/h (7.62 kW)	24,500 BTU/h (10.84 kW)
Vent Sizing- Rigid	4" Inner / 6-5/8" Outer	4" Inner / 6-5/8" Outer
Vent Sizing- Flex	4" Inner / 6-7/8" Outer	4" Inner / 6-7/8" Outer

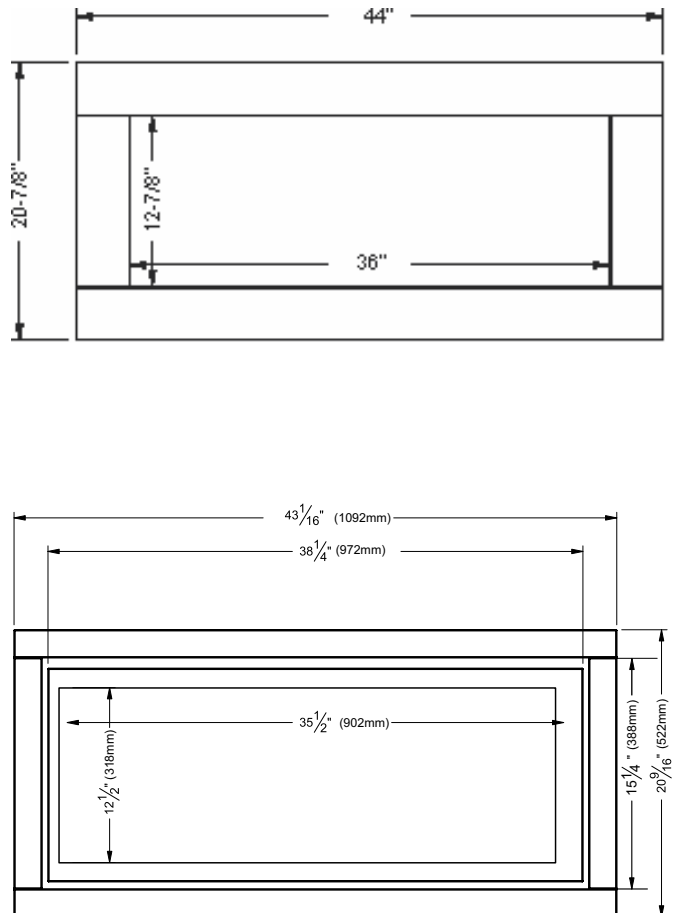


Approved Venting Systems	
Flex Vent Systems:	FPI AstroCap™ Flex Vent
Rigid Pipe Vent Systems:	Simpson Direct Vent Pro® Selkirk Direct-Temp™ American Metals-Amerivent Metal-Fab® Sure Seal Security Secure-Vent ICC Excel Direct

Unit Dimensions:



Faceplate & Door Frame Dimensions:



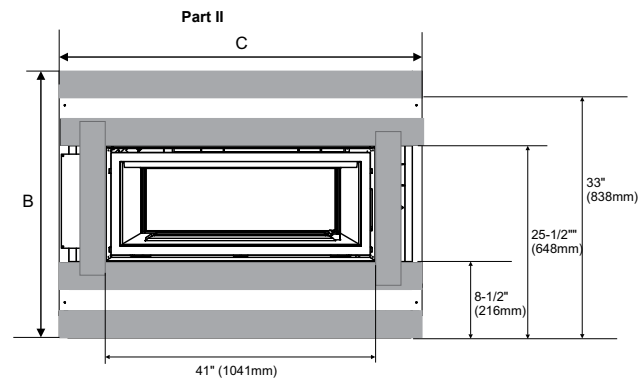
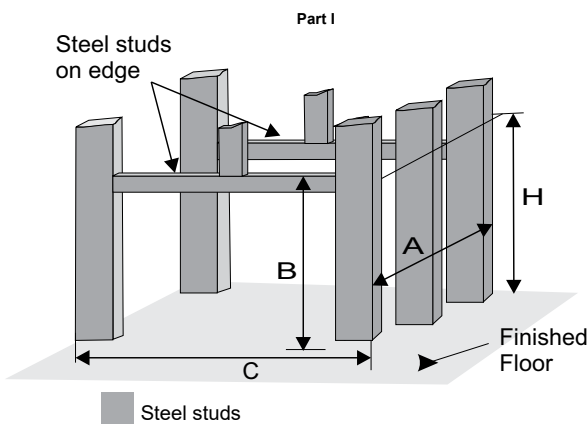
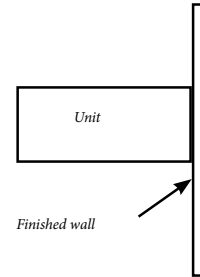
FRAMING DIMENSIONS

HZ42STE Framing Dimensions		
A *	Framing Depth *	21" (533mm) **minus 2X the finished material thickness
B	Framing Height	42" (1067mm)
C	Framing Width	54" (1372mm) Horizontal /58" (1473mm) Vertical Vent
D	Gas Connection Height	3-7/16" (87mm)
E	Gas Connection Inset	4-7/8" (124mm)
F	Gas Connection Opening Width	3-1/2" (89mm)
G	Gas Connection Opening Height	2-5/8" (67mm)
H	Minimum Height to Combustibles	42" (1067mm)

* Framing depth measurement is noted with nailing strips (top & sides) set as far forward on the firebox as possible. The nailing strips can be adjusted (on both sides) to allow for varying thicknesses in non-combustible material and wall finishes.
 **Finished material thickness includes: non combustible material, tile slate, etc.
 (example framing = 21" - if 2" thick finishing material is used (on both sides)=17"

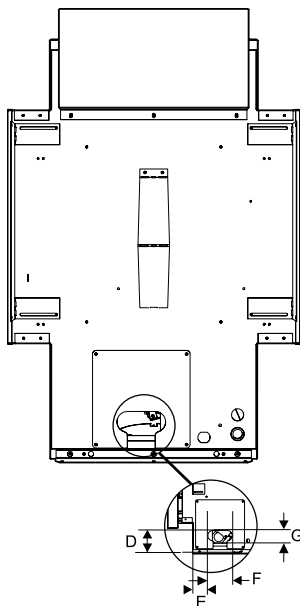
Important:

Determine the wall thickness prior to framing this unit. The finished wall depending on thickness would decrease the required clearance of 7 or 9 inches depending if this is horizontally vented/Vertically vented so thought must be put into the framing details. If the finished wall is 1/2 inch—the framing should be 1/2 inch deeper to accommodate the finished wall.

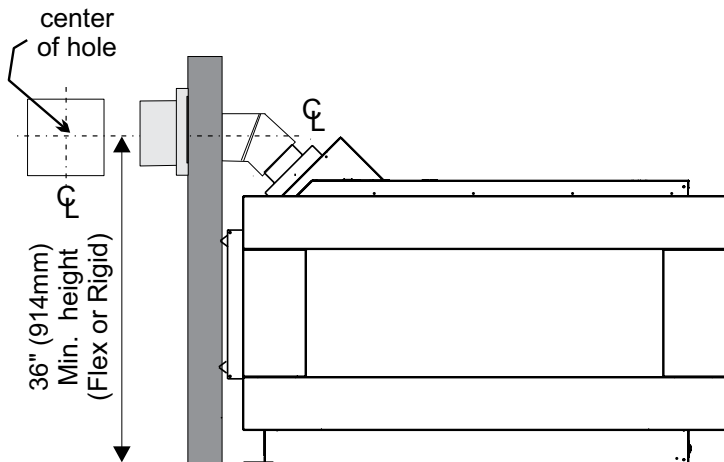


Steel studs - for ease of installation of non combustible material after Part I is complete.

* Install after unit in place with gas connection, electrical and venting completed.



Note: Gas hookup is on vent side of unit.



IMPORTANT:

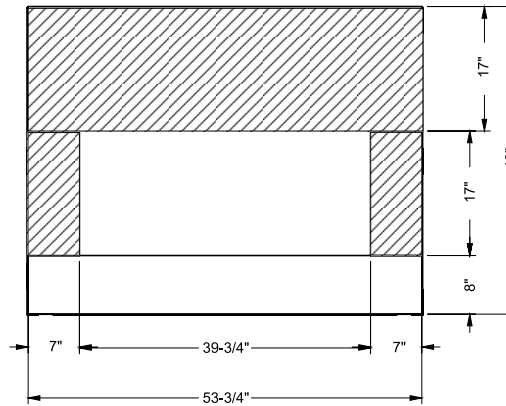
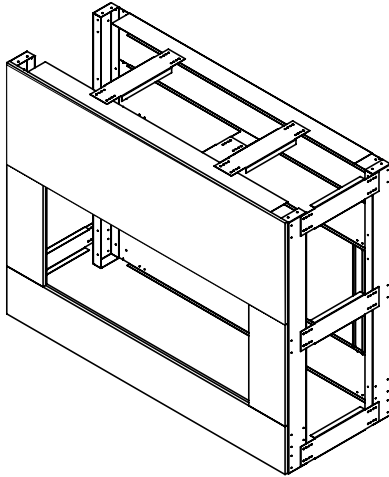
1/2" gap required between faceplate and finished wall. Dangerous operating conditions will occur if this is not adhered to.



HZ42STE-10 Gas Fireplace

NON-COMBUSTIBLE REQUIREMENTS

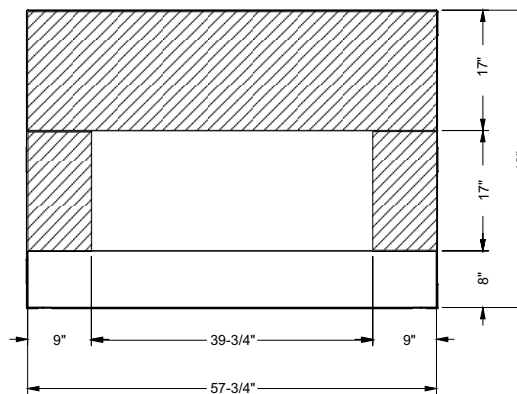
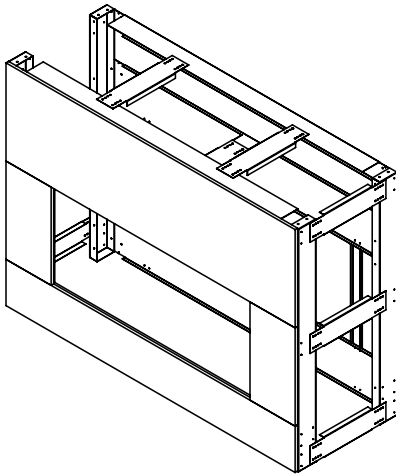
Determine whether the venting will be a horizontal or vertical as the non combustibile material can be cut to size dependant on whether unit is horizontally/vertically vented. The non combustibile material comes in 3 separate pieces, top section is 57-3/4"x 9" - side sections are 9" x 17".



HORIZONTAL VENTING



-  Non-combustible material (supplied)
-  Combustible material (not supplied) ie. Drywall

VERTICAL VENTING



-  Non-combustible material (supplied)
-  Combustible material (not supplied) ie. Drywall

HZ42STE-10 Gas Fireplace

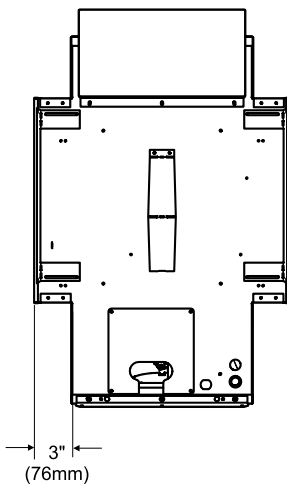
FRAMING & FINISHING

1. Frame in the enclosure for the unit with framing material.

IMPORTANT: Vertical studs and the header must be metal.

Note: When constructing the framed opening, please ensure there is access to install the gas lines when the unit is installed.

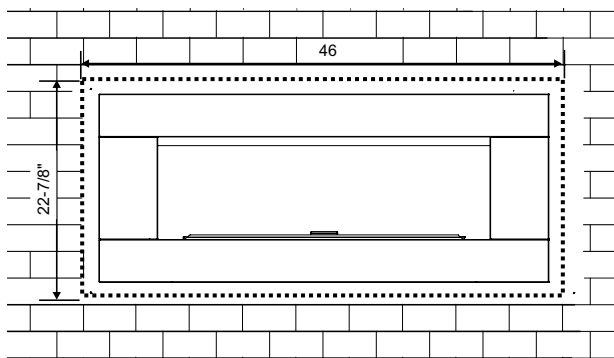
2. The unit does not have to be completely enclosed in a chase. You must maintain clearances from the vent to combustible materials: See "Clearances" section. Combustible materials can be laid against the side and back standoffs and the stove base.
3. Non-combustible material (ie. tile, slate, etc) may be brought up to and overlap the unit (top and bottom) ensuring that the maximum thickness does not go beyond the 3" as shown in the diagram below. The faceplate will not be able to be mounted if the finished material is beyond 3".



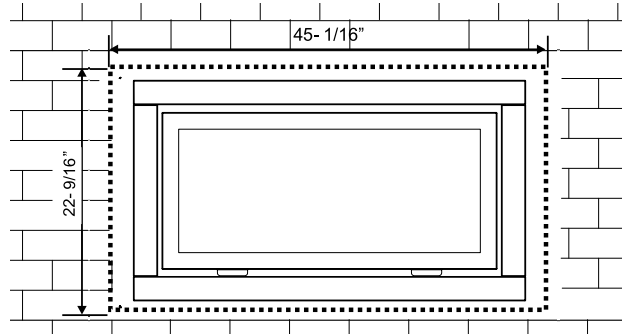
Note:

Depending on the material used for finishing, the nailing strips must be set accordingly so that the finished material is always at the 3" edge of the flange.

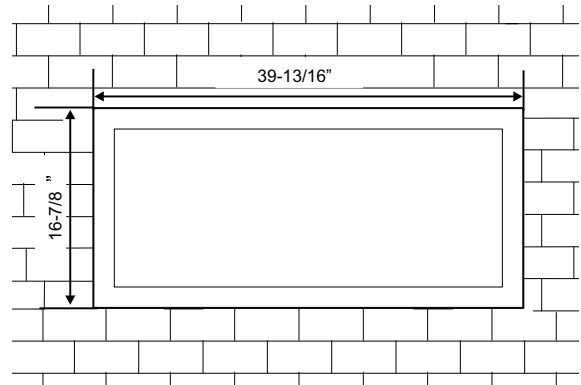
4. If material such as brick, stone, etc. extends past the faceplate depth, when finishing around the faceplate, the minimum opening dimensions noted below must be adhered to ensuring for the removal of the faceplate and for the safe operation of this appliance.



Unit shown with 4 piece faceplate/Verona Glass Surround



Unit shown with inner and outer door frame



Unit shown with inner door frame only

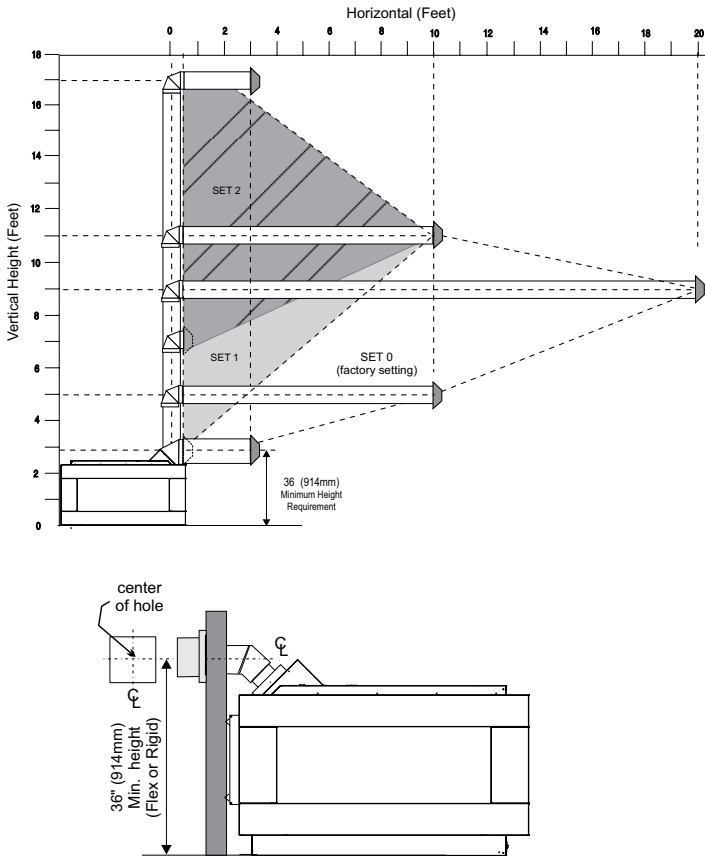
Finished Material	Nailing Strip Position	
1/2"	2-1/2"	<p>Nailing Strip 1 Forward</p> <p>Unit</p>
1"	2"	<p>Nailing Strip 1/2 Forward</p> <p>Unit</p>
1-1/2"	1-1/2"	<p>Nailing Strip Flush w/unit Factory Set</p> <p>Unit</p>

VENTING ARRANGEMENTS

ALLOWABLE HORIZONTAL TERMINATIONS FOR HZ42 ST

The diagram shows all allowable combinations of vertical runs with horizontal terminations, using one 45° and one 90° (two 45° elbows equal to one 90°) for direct horizontal runs with horizontal termination use only one 45° elbow.

Note: Must use optional rigid pipe adapter (Part# 510-994) when using Rigid Pipe Venting Systems.



VENT RESTRICTOR SETTING:

Vent restrictor factory set, no adjustment required unless otherwise indicated.

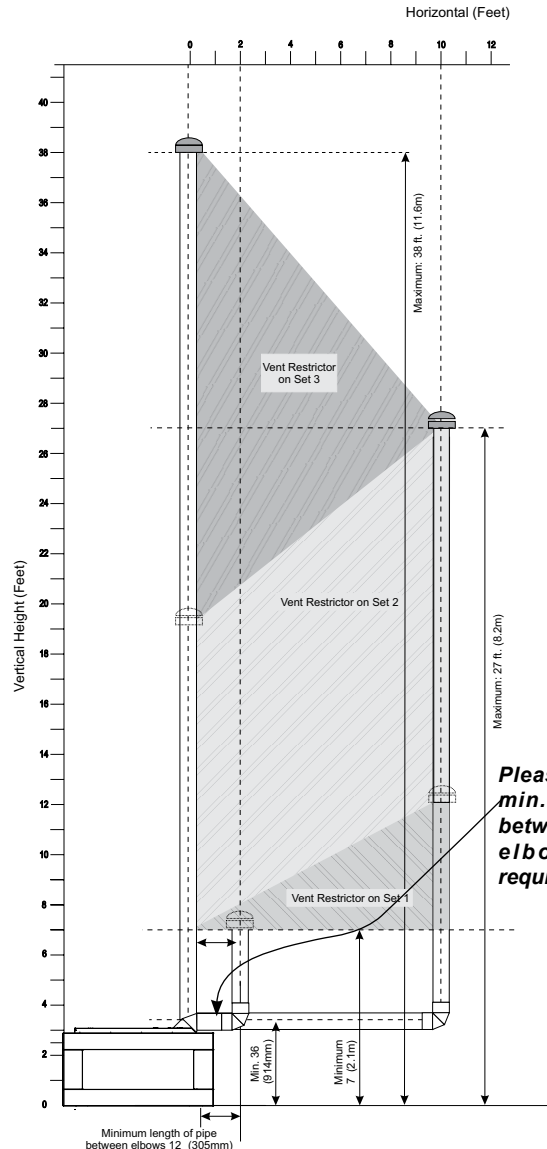
Refer to the "Vent Restrictor Position" section for details on how to change the vent restrictor from the factory setting of Set 0 to Set 1 or Set 2 if required.

Note: Regency® Direct Vent System (Flex) is only approved for horizontal terminations.

- Maintain clearances to combustibles as listed in "Clearances" section
- Horizontal vent must be supported every 3 feet.
- Firestops are required at each floor level and whenever passing through a wall.
- A wall thimble is mandatory for all horizontal terminations due to high temperatures.

ALLOWABLE VERTICAL TERMINATIONS FOR HZ42 ST

The shaded area in the diagram shows all allowable combinations of straight vertical and offset to vertical terminations, using two 90° elbows, with **Rigid Pipe Venting Systems** for Natural Gas. Two 45° elbows equal to one 90° elbow. Maximum of four 45° elbows allowed.



Please note min. 1 foot between 90° elbows is required.

- Vent must be supported at offsets.
- Firestops are required at each floor level and whenever passing through a wall.
- Maintain clearances to combustibles as listed in the "Clearances" section.
- Refer to the "Vent Restrictor Position" section for details on how to change the vent restrictor from Set 1 to Set 2 or Set 3 if required.

Note: Must use optional flue adaptor when using Rigid Pipe (Part # 510-994..