



[www.regency-fire.com](http://www.regency-fire.com)

## Freestanding Woodstoves

Owners &  
Installation Manual



MODELS: F1100S F3100L



**Installer:** Please complete the details on the back cover  
and leave this manual with the homeowner.  
**Homeowner:** Please keep these instructions for future reference.

Thank-you for purchasing a  
**REGENCY FIREPLACE PRODUCT.**

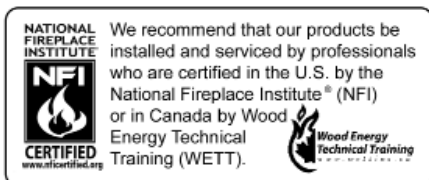
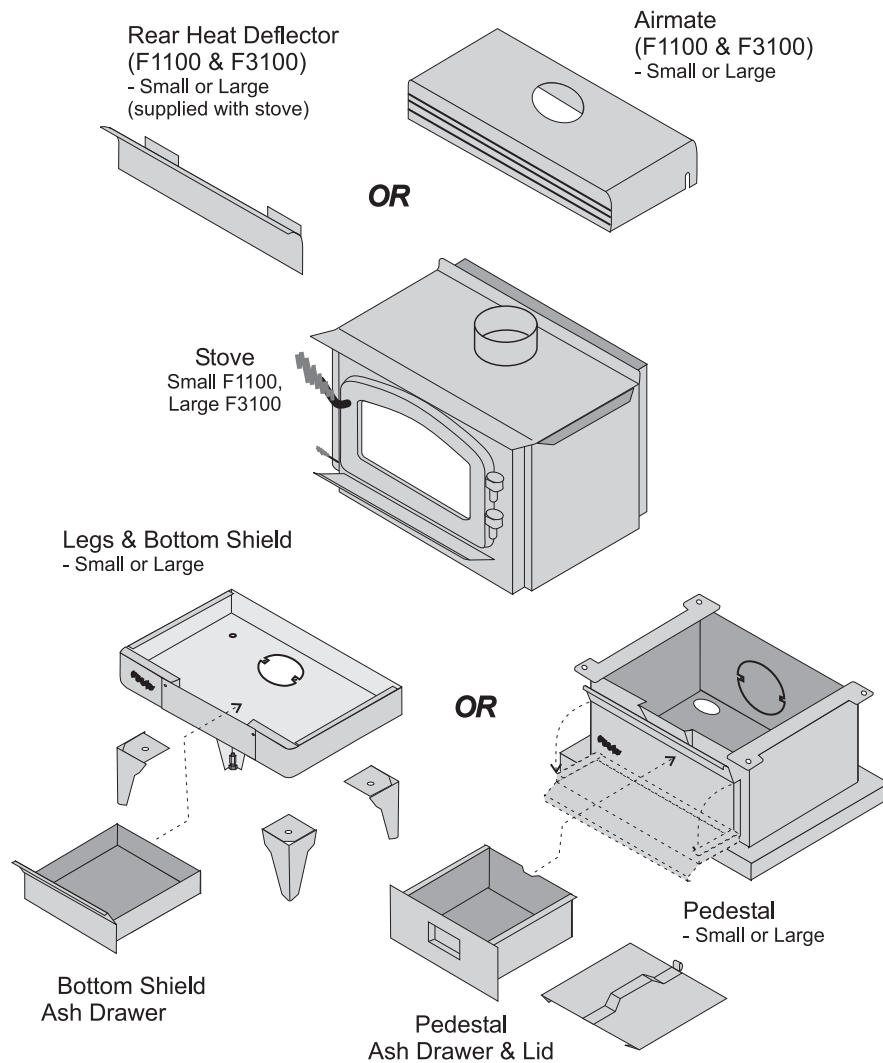
The pride of workmanship that goes into each of our products will give you years of trouble-free enjoyment. Should you have any questions about your product that are not covered in this manual, please contact the **REGENCY DEALER** in your area.

Keep those **REGENCY FIRES** burning.

**SAFETY NOTES:**

If this woodstove is not properly installed, a house fire may result. For your safety, follow the installation instructions, contact local building or fire officials about restrictions and installation inspection requirements in your area.

This appliance needs fresh air for safe operation and must be installed with adequate combustion air available to the room in which it is to be operating. Air starvation or icing of the chimney system may result.



# TABLE OF CONTENTS

---

## **SAFETY LABEL**

Safety Label For F1100S.....	4
Safety Label For F3100L.....	5

## **DIMENSIONS**

F1100S Unit Dimensions.....	6
F3100L Unit Dimensions.....	6

## **INSTALLATION**

Residential Installation.....	7
Room Air .....	7
Modular Installation Options .....	7
Minimum Clearance To Combustible Materials .....	8
Stove Assembly Prior To Installation .....	10
Step By Step Chimney And Connector Installation .....	11
Masonry Chimney.....	12
Masonry Fireplace .....	12
Factory Built Chimney .....	12
Combustible Wall Chimney Connector Pass-throughs.....	13
Recommended Heights For Woodstove Flue.....	14
Mobile Home Installation .....	14
Listed Components For Mobile Home Installation.....	15
Brick Flue Baffle & Secondary Air Tube Installation .....	16
Brick Installation .....	17
Door Handle .....	17
Glass Installation .....	17
Optional Accessories.....	17
Screen Door .....	17

## **OPERATING INSTRUCTIONS**

Operating Instructions .....	19
First Fire .....	19
Draft Control .....	19
Ash Disposal.....	20
Safety Guidelines And Warnings .....	20
Fan Operation.....	20
Creosote.....	21
Latch Adjustment.....	21
Door Gasket .....	21
Glass Maintenance.....	21

## **MAINTENANCE**

Maintenance .....	21
Maintenance Of Gold-plated Doors.....	21

## **PARTS LIST**

F1100 & F3100 Stove Main Assembly.....	22
Pedestal, Bottom Shield & Leg Options .....	23
Firebrick.....	24

## **WARRANTY**

Warranty .....	27
----------------	----

# SAFETY LABEL


## COPY OF SAFETY LABEL FOR F1100S

This is a copy of the label that accompanies each Regency Small Freestanding Woodstove (F1100S).

We have printed a copy of the contents here for your review.

**NOTE:** Regency units are constantly being improved. Check the label on the unit and if there is a difference, the label on the unit is the correct one.

duplicate serial number 100



**LISTED SPACE HEATER, SOLID FUEL TYPE, ALSO SUITABLE FOR MOBILE HOME INSTALLATION**

**MODEL: REGENCY SMALL FREESTANDING STOVE - F1100S**  
**TESTED TO: ULC S627-00 / UL 1482-1998 / UL 737-2000 REPORT NO.6621 (MAY 1993)**

**DO NOT REMOVE THIS LABEL**

100

DEC

NOV

OCT

SEPT

AUG

JUL

JUN

MAY

APR


MAR

FEB


JAN

DATE OF MANUFACTURE

2008  2009  2010



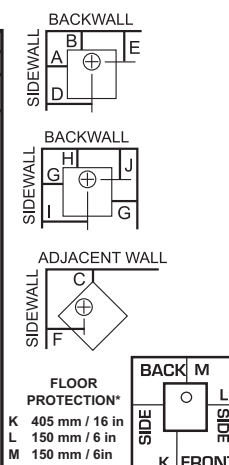
F1100S WITH AIRMATE SHIELD



F1100S WITHOUT AIRMATE SHIELD


INSTALL AND USE ONLY IN ACCORDANCE WITH THE MANUFACTURER'S INSTALLATION AND OPERATING INSTRUCTIONS. CONTACT LOCAL BUILDING OR FIRE OFFICIALS ABOUT RESTRICTIONS AND INSTALLATION INSPECTION IN YOUR AREA. USE 150 MM (6 IN.) DIAMETER MINIMUM 24 MSG BLACK OR 25 MSG BLUED STEEL CONNECTOR WITH LISTED FACTORY-BUILT CHIMNEY SUITABLE FOR USE WITH SOLID FUELS OR MASONRY CHIMNEY. SEE LOCAL BUILDING CODE AND MANUFACTURER'S INSTRUCTIONS FOR PRECAUTIONS REQUIRED FOR PASSING A CHIMNEY THROUGH A COMBUSTIBLE WALL OR CEILING. DO NOT PASS CHIMNEY CONNECTOR THROUGH COMBUSTIBLE WALL OR CEILING. DO NOT CONNECT THIS UNIT TO A CHIMNEY FLUE SERVING ANOTHER APPLIANCE.

MINIMUM CLEARANCES TO COMBUSTIBLE MATERIALS					
F1100S WITH AIRMATE SHIELD			F1100S WITHOUT AIRMATE SHIELD		
MEASURE FROM	HEATER	FLUE CENTER-LINE	MEASURE FROM	HEATER	FLUE CENTER-LINE
RESIDENTIAL INSTALLATION USING SINGLE WALL CONNECTOR					
SIDEWALL	A 330 mm / 13 in	D 635 mm / 25 in	SIDEWALL	A 380 mm / 15 in	D 685 mm / 27 in
BACKWALL	B 280 mm / 11 in	E 445 mm / 17.5 in	BACKWALL	B 265 mm / 10.5 in	E 430 mm / 17 in
CORNER	C 205 mm / 8 in	F 510 mm / 20 in	CORNER	C 280 mm / 11 in	F 585 mm / 23 in
INSTALLATION USING LISTED DOUBLE WALL CONNECTOR - MOBILE HOME					
SIDEWALL	A 280 mm / 11 in	D 585 mm / 23 in	SIDEWALL	A 330 mm / 13 in	D 635 mm / 25 in
BACKWALL	B 150 mm / 6 in	E 320 mm / 12.5 in	BACKWALL	B 125 mm / 5 in	E 290 mm / 11.5 in
CORNER	C 150 mm / 6 in	F 460 mm / 18 in	CORNER	C 230 mm / 9 in	F 535 mm / 21 in
INSTALLATION USING LISTED DOUBLE WALL CONNECTOR - RESIDENTIAL CLOSE CLEARANCE					
SIDEWALL	A 230 mm / 9 in	D 535 mm / 21 in	SIDEWALL	A 345 mm / 13.5 in	D 650 mm / 25.5 in
BACKWALL	B 125 mm / 5 in	E 290 mm / 11.5 in	BACKWALL	B 125 mm / 5 in	E 290 mm / 11.5 in
CORNER	C 75 mm / 3 in	F 380 mm / 15 in	CORNER	C 125 mm / 5 in	F 430 mm / 17 in
INSTALLATION USING LISTED DOUBLE WALL CONNECTOR - ALCOVE					
SIDEWALL	G 280 mm / 11 in	I 585 mm / 23 in	SIDEWALL	G 330 mm / 13 in	I 635 mm / 25 in
BACKWALL	H 180 mm / 7 in	J 345 mm / 13.5 in	BACKWALL	H 125 mm / 5 in	J 290 mm / 11.5 in



**FLOOR PROTECTION\***  
 K 405 mm / 16 in  
 L 150 mm / 6 in  
 M 150 mm / 6 in

MINIMUM ALCOVE CEILING HEIGHT: 2.15 M / 7 FT      MAXIMUM ALCOVE DEPTH 915 MM / 36 IN.  
 MINIMUM CLEARANCES FOR HORIZONTAL CONNECTOR TO CEILING: 455 MM / 18"  
 THE SPACE BENEATH THE HEATER MUST NOT BE OBSTRUCTED. OPERATE ONLY WITH FIREBRICKS IN PLACE.  
 FOR USE WITH SOLID WOOD FUEL ONLY. USE OF OTHER FUELS MAY DAMAGE HEATER AND CREATE A HAZARDOUS CONDITION. DO NOT OBSTRUCT COMBUSTION AIR OPENINGS. OPERATE ONLY WITH FIREBRICKS IN PLACE. OPERATE ONLY WITH DOOR CLOSED - OPEN FEED DOOR TO FEED FIRE ONLY. DO NOT USE GRATE OR ELEVATE FIRE. BUILD WOOD FIRE DIRECTLY ON HEARTH. DO NOT OVERFIRE - IF HEATER OR CHIMNEY CONNECTOR GLOWS YOU ARE OVERFIRING. INSPECT AND CLEAN CHIMNEY AND CONNECTOR FREQUENTLY. UNDER CERTAIN CONDITIONS OF USE CREOSOTE BUILDUP MAY OCCUR RAPIDLY. KEEP FURNISHINGS AND OTHER COMBUSTIBLE MATERIAL AWAY FROM HEATER. REPLACE GLASS ONLY WITH NEOCERAM GLASS. COMBUSTIBLE FLOOR MUST BE PROTECTED BY NON-COMBUSTIBLE MATERIAL EXTENDING BENEATH THE HEATER AND TO THE FRONT AND SIDES AS INDICATED OR TO THE NEAREST PERMITTED COMBUSTIBLE MATERIAL.  
 OPTIONAL COMPONENT: FAN, ELECTRICAL RATING: VOLTS 115, 60 HZ, 2 AMPS, SCREEN DOOR  
 COMPONENTS REQUIRED FOR MOBILE HOME INSTALLATION: OUTSIDE AIR KIT AND ONE OF THE FOLLOWING DOUBLE WALL CONNECTOR IN CANADA: LISTED SECURITY MODEL DP, OR OLIVER MACLEOD PRO-VENT PV DOUBLE WALLED CONNECTOR WITH LISTED CHIMNEY SYSTEM: SECURITY MODEL S2100, ICC EXCEL 2100.  
 IN USA: LISTED DOUBLE WALL CONNECTORS SECURITY MODEL DP, SELKIRK MODEL DS, OLIVER MACLEOD PRO VENT PV, SIMPSON DURA VENT MODEL DVL, GSW SUPER PIPE 6, METAL-FAB DOUBLE WALL. CONNECTED TO ONE OF THE FOLLOWING COMPATIBLE CHIMNEY SYSTEMS SECURITY MODEL S2100 OR MODEL ASHT, SELKIRK MODEL SSII, OLIVER MACLEOD PRO JET 3103, SIMPSON DURA PLUS, GSW MODEL SC OR METAL-FAB TEMP/GUARD, AMERI-TEC HS, ICC EXCEL 2100. USE CHIMNEY COMPONENTS AS SPECIFIED IN INSTALLATION INSTRUCTIONS.




MANUFACTURED BY: FPI FIREPLACE PRODUCTS INTERNATIONAL LTD.  
 6988 VENTURE ST.  
 DELTA, BC V4G 1H4

MADE IN CANADA

**UNITED STATES ENVIRONMENTAL PROTECTION AGENCY**

**CERTIFIED TO COMPLY WITH JULY 1990, PARTICULATE EMISSION STANDARDS.**



### CAUTION

HOT WHILE IN OPERATION DO NOT TOUCH. KEEP CHILDREN, CLOTHING AND FURNITURE AWAY. CONTACT MAY CAUSE SKIN BURNS. READ NAMEPLATE AND INSTRUCTIONS.

908-281a


## COPY OF SAFETY LABEL FOR F3100L

This is a copy of the label that accompanies each Regency Large Freestanding Woodstove (F3100L).

We have printed a copy of the contents here for your review.

**NOTE:** Regency units are constantly being improved. Check the label on the unit and if there is a difference, the label on the unit is the correct one.

102



**US**

**LISTED SPACE HEATER, SOLID FUEL TYPE, SUITABLE FOR MOBILE HOME INSTALLATION**


**MODEL: REGENCY LARGE FREESTANDING STOVE - F3100L**

**TESTED TO: ULC S627-00 / UL 1482-1998 / UL 737-2000**


**DO NOT REMOVE THIS LABEL**

102

**REPORT NO.6623 (MAY 93)**



**F3100L WITH AIRMATE SHIELD**

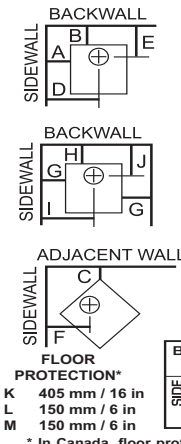


**F3100L WITHOUT AIRMATE SHIELD**

INSTALL AND USE ONLY IN ACCORDANCE WITH THE MANUFACTURER'S INSTALLATION AND OPERATING INSTRUCTIONS. CONTACT LOCAL BUILDING OR FIRE OFFICIALS ABOUT RESTRICTIONS AND INSTALLATION INSPECTION IN YOUR AREA. USE 150 MM (6 IN.) DIAMETER MINIMUM 24 MSG BLACK OR 25 MSG BLUED STEEL CONNECTOR WITH LISTED FACTORY-BUILT CHIMNEY SUITABLE FOR USE WITH SOLID FUELS OR MASONRY CHIMNEY.

SEE LOCAL BUILDING CODE AND MANUFACTURER'S INSTRUCTIONS FOR PRECAUTIONS REQUIRED FOR PASSING A CHIMNEY THROUGH A COMBUSTIBLE WALL OR CEILING. DO NOT PASS CHIMNEY CONNECTOR THROUGH COMBUSTIBLE WALL OR CEILING. DO NOT CONNECT THIS UNIT TO A CHIMNEY FLUE SERVING ANOTHER APPLIANCE.

MINIMUM CLEARANCES TO COMBUSTIBLE MATERIALS					
F3100L WITH AIRMATE SHIELD			F3100L WITHOUT AIRMATE SHIELD		
MEASURE FROM	HEATER	FLUE CENTER-LINE	MEASURE FROM	HEATER	FLUE CENTER-LINE
RESIDENTIAL INSTALLATION USING SINGLE WALL CONNECTOR					
SIDEWALL	A 460 mm / 18 in	D 810 mm / 32 in	SIDEWALL	A 510 mm / 20 in	D 860 mm / 34 in
BACKWALL	B 305 mm / 12 in	E 470 mm / 18.5 in	BACKWALL	B 355 mm / 14 in	E 520 mm / 20.5 in
CORNER	C 215 mm / 8.5 in	F 560 mm / 22 in	CORNER	C 265 mm / 10.5 in	F 610 mm / 24 in
INSTALLATION USING LISTED DOUBLE WALL CONNECTOR - MOBILE HOME					
SIDEWALL	A 460 mm / 18 in	D 810 mm / 32 in	SIDEWALL	A 510 mm / 20 in	D 860 mm / 34 in
BACKWALL	B 240 mm / 9.5 in	E 405 mm / 16 in	BACKWALL	B 305 mm / 12 in	E 470 mm / 18.5 in
CORNER	C 255 mm / 10 in	F 595 mm / 23.5 in	CORNER	C 255 mm / 10 in	F 595 mm / 23.5 in
INSTALLATION USING LISTED DOUBLE WALL CONNECTOR - RESIDENTIAL CLOSE CLEARANCE					
SIDEWALL	A 405 mm / 16 in	D 760 mm / 30 in	SIDEWALL	A 510 mm / 20 in	D 860 mm / 34 in
BACKWALL	B 240 mm / 9.5 in	E 405 mm / 16 in	BACKWALL	B 305 mm / 12 in	E 470 mm / 18.5 in
CORNER	C 215 mm / 8.5 in	F 560 mm / 22 in	CORNER	C 215 mm / 8.5 in	F 560 mm / 22 in
INSTALLATION USING LISTED DOUBLE WALL CONNECTOR - ALCOVE					
SIDEWALL	G 405 mm / 16 in	I 760 mm / 30 in	ALCOVE INSTALLATION REQUIRES AIRMATE SHIELD		
BACKWALL	H 240 mm / 9.5 in	J 405 mm / 16 in			



**BACKWALL**  
A, B, C, D, E

**SIDEWALL**  
G, H, I, J, K

**ADJACENT WALL**  
C, F

**FLOOR PROTECTION\***  
K 405 mm / 16 in  
L 150 mm / 6 in  
M 150 mm / 6 in

\* In Canada, floor protection must extend 18" to the front and 8" to each side of the stove.


MINIMUM CLEARANCE BETWEEN HORIZONTAL CHIMNEY CONNECTOR AND COMBUSTIBLE MATERIALS - 460 MM (18 IN.). CLEARANCE MAY BE REDUCED BY THE USE OF LISTED PIPE SHIELDS, WALL PROTECTORS OR OTHER MEANS APPROVED BY LOCAL BUILDING OR FIRE OFFICIALS. COMBUSTIBLE FLOOR MUST BE PROTECTED BY NON-COMBUSTIBLE MATERIAL EXTENDING BENEATH THE HEATER AND TO THE FRONT AND SIDES AS INDICATED OR TO THE NEAREST PERMITTED COMBUSTIBLE MATERIAL.

FOR USE WITH SOLID WOOD FUEL ONLY. USE OF OTHER FUELS MAY DAMAGE HEATER AND CREATE A HAZARDOUS CONDITION. DO NOT OBSTRUCT COMBUSTION AIR OPENINGS. OPERATE ONLY WITH FIREBRICKS IN PLACE. OPERATE ONLY WITH DOOR CLOSED - OPEN FEED DOOR TO FEED FIRE ONLY. DO NOT USE GRATE OR ELEVATE FIRE. BUILD WOOD FIRE DIRECTLY ON HEARTH. DO NOT OVERFIRE - IF HEATER OR CHIMNEY CONNECTOR GLOWS YOU ARE OVERFIRING. INSPECT AND CLEAN CHIMNEY AND CONNECTOR FREQUENTLY. UNDER CERTAIN CONDITIONS OF USE CREOSOTE BUILDUP MAY OCCUR RAPIDLY. KEEP FURNISHINGS AND OTHER COMBUSTIBLE MATERIAL AWAY FROM HEATER. REPLACE GLASS ONLY WITH NEOCERAM GLASS.

OPTIONAL COMPONENT: FAN, ELECTRICAL RATING: VOLTS 115, 60 HZ, 2 AMPS, SCREEN DOOR

COMPONENTS REQUIRED FOR MOBILE HOME INSTALLATION: OUTSIDE AIR KIT AND ONE OF THE FOLLOWING DOUBLE WALL CONNECTOR IN CANADA: LISTED SECURITY MODEL DP, OR OLIVER MACLEOD PRO-VENT PV DOUBLE WALLED CONNECTOR WITH LISTED CHIMNEY SYSTEM: SECURITY MODEL S2100, ICC EXCEL 2100.

IN USA: LISTED DOUBLE WALL CONNECTORS SECURITY MODEL DP, SELKIRK MODEL DS, OLIVER MACLEOD PRO VENT PV, SIMPSON DURA VENT MODEL DVL, GSW SUPER PIPE 6, METAL-FAB DOUBLE WALL. CONNECTED TO ONE OF THE FOLLOWING COMPATIBLE CHIMNEY SYSTEMS SECURITY MODEL S2100 OR MODEL ASHT, SELKIRK MODEL SSI, OLIVER MACLEOD PRO JET 3103, SIMPSON DURA PLUS, GSW MODEL SC OR METAL-FAB TEMP/GUARD, AMERI-TEC HS, ICC EXCEL 2100. USE CHIMNEY COMPONENTS AS SPECIFIED IN INSTALLATION INSTRUCTIONS.




MANUFACTURED BY: **FPI FIREPLACE PRODUCTS INTERNATIONAL LTD.**  
6988 VENTURE ST.  
DELTA, BC V4G 1H4

MADE IN CANADA

**UNITED STATES ENVIRONMENTAL PROTECTION AGENCY**

**CERTIFIED TO COMPLY WITH JULY 1990, PARTICULATE EMISSION STANDARDS.**



## CAUTION

HOT WHILE IN OPERATION DO NOT TOUCH. KEEP CHILDREN, CLOTHING AND FURNITURE AWAY. CONTACT MAY CAUSE SKIN BURNS. READ NAMEPLATE AND INSTRUCTIONS.

908-351a

DATE OF MANUFACTURE

DEC

NOV

OCT

SEPT

AUG

JUL

JUN

MAY

APR

MAR

FEB

JAN

2008

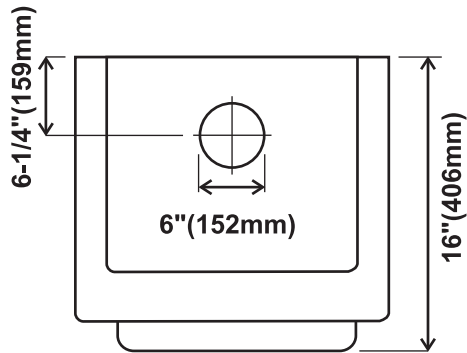
2009

2010

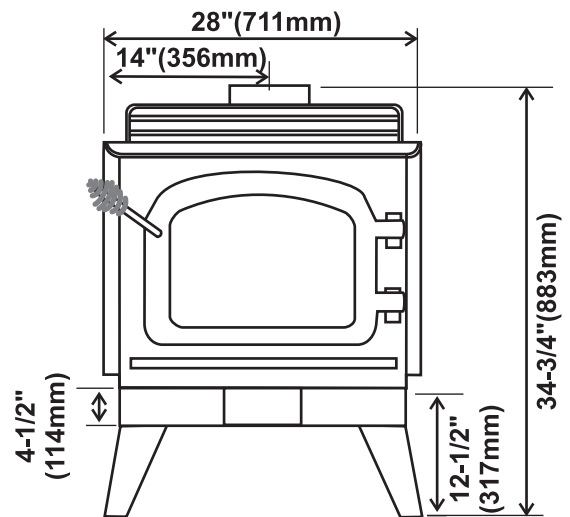
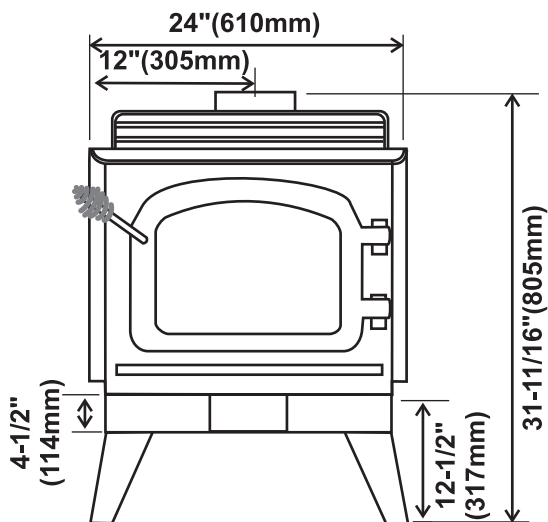
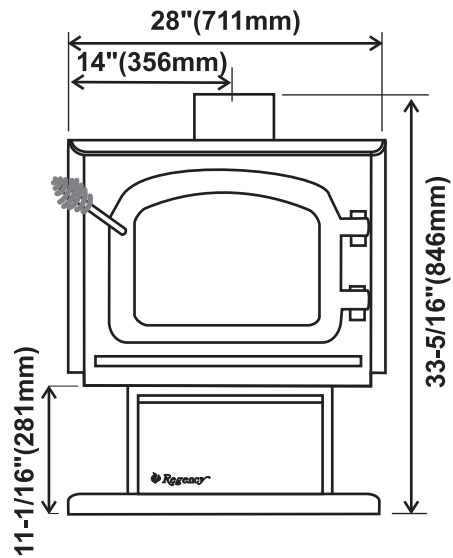
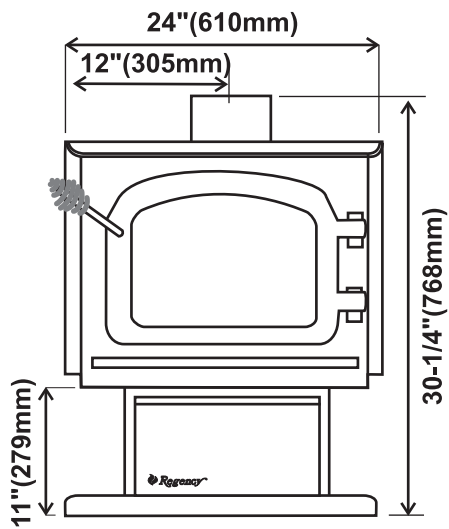
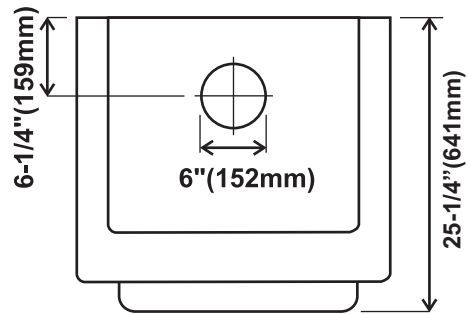
# DIMENSIONS

## UNIT DIMENSIONS

F1100S Dimensions



F3100L Dimensions



## RESIDENTIAL INSTALLATION

- 1) Read all instructions before installing your Regency Stove. Install and use only in accordance with these installation and operating instructions. Be aware that local Codes and Regulations may override some items in this manual. Check with your local inspector.
- 2) Select a position for your Regency Stove. Consult the minimum clearance chart for your model and set the stove in place. For close clearance installation use listed double wall connector systems (refer to Combustible Wall Chimney Connector Pass - Throughs).
- 3) To insure vertical alignment, suspend a plumb bob from the ceiling over the exact center of your stove flue and mark a spot on the ceiling to indicate the center of the chimney.
- 4) Check that the area above the ceiling is clear for cutting. Re-confirm the clearance from the stove to combustibles to insure that they are within the prescribed limits.
- 5) Install chimney according to chimney manufacturers instructions. The performance of your woodstove is governed to a very large part by the chimney system. Too short a chimney can cause difficult start-up, dirty glass, backsmoking when door is open, and even reduced heat output. Too tall a chimney may prompt excessive draft which can result in very short burn times and excessive heat output. The use of an inexpensive flue pipe damper may be helpful in reducing excessive draft.

**CAUTION:** The chimney should be the same size as the flue outlet on the stove. The chimney must be listed as suitable for use with solid

fuels. For other types of chimneys check with your local building code officials. Do not confuse a chimney with a type "B" Venting System used for gas appliances as suitable for a wood burning appliance (refer to the Mobile Home installations section).

- 6) Mark the location of the pedestal base or legs on the floor, then move the stove aside and mark the position of the floor protector.
- 7) The floor protector must be of non-combustible material and must extend 16" in front of the door opening and 6" to the sides and rear of the unit. Some areas may require a larger size floor protector. See your local inspector. For outside air installation refer to Mobile Home section.

**NOTE: In Canada, floor protection must extend 18" to the front and 8" to each side of the stove.**

- 8) When the floor protection is complete, position the stove with the flue collar centered under the installed chimney.
- 9) In seismically active areas, Regency recommends that your unit is secured to the floor by using the bolt down holes inside the pedestal (the same ones used in Mobile Home installations).
- 10) For residential installations using "C" Vent (single wall) the chimney connector must be at least 24 gauge steel. Do not use galvanized pipe. For Mobile Home installation refer to the Mobile Home installation section.
- 11) Do not connect this unit to a chimney serving another appliance unless approved by your local building authority.

12) A chimney connector cannot pass through an attic or roof space, closet or similar concealed space, or a floor, ceiling, wall or partition of combustible construction. In Canada, if passage through a wall, or partition of combustible construction is desired, the installation shall conform to CAN/CSA-B365, Installation Code for Solid-Fuel-Burning Appliances and Equipment.

13) Your Regency Woodstove is not to be connected to any air distribution duct.

Emissions from burning wood or gas could contain chemicals known to the State of California to cause cancer, birth defects or other reproductive harm.

## ROOM AIR IMPORTANT

For installation using room air for combustion, remove knockout from the pedestal, and/or from the bottom if using a heat shield.

Mobile home installations require the use of outside air.

On pedestal units there are two locations where outside air may be adapted to the unit. If using the bottom of the pedestal, do not remove knockout from the rear of the pedestal. Only remove rear knockout if outside air will be brought in from the rear.

On leg units outside air can only be brought in from the bottom of the heat shield.

**Note: Once the knockout is removed there are two tabs remaining. Bend both tabs out for ease of installation when attaching outside air.**

## MODULAR INSTALLATION OPTIONS

The following items are required when assembling your Regency Stove. F1100 and F3100 units - the Rear Heat Deflector is supplied with the stove, but if you choose not to use it you must use the Airmate instead.

Modular Part	Things to consider when choosing options:
<b>F1100 &amp; F3100 only:</b> <b>Airmate OR</b> <b>Rear Heat Deflector</b>	Clearances are different. See chart on pages 7 and 8. Generally you can get closer clearances with the airmate than with the rear heat deflector.
	Convection heat with Airmate vs. Radiant Heat with Rear Heat Deflector. The airmate pushes heat forward and into the room, the rear heat deflector deflects the heat upward. See installation instructions.
<b>(all units)</b> <b>Pedestal OR</b> <b>Legs</b>	There are no performance differences with either the pedestal or legs. It is primarily a personal preference. Legs can be either painted cast or gold plated cast.
	Leg installation requires the bottom shield. See installation instructions.

**OPTIONS: These can be installed at time of installation or added later:**

Modular Option	Things to consider when choosing options
<b>Blower/Fan</b>	Adding the blower will increase the area heated by the stove, it can move warm air beyond the room where the stove is installed. Installation instructions.
<b>Ash Drawer Kit</b>	Adding the Ash Drawer Kit makes cleaning ashes out of the stove easier and cleaner. Installation instructions.
<b>Screen Door</b>	A simple add-on option that will allow you to enjoy the sound, warmth and view of an open fire.

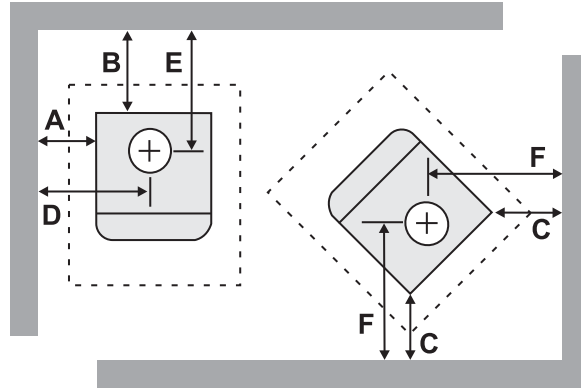


# INSTALLATION

## MINIMUM CLEARANCE TO COMBUSTIBLE MATERIALS

Please read the section below carefully as clearances depend on whether the airmate or the rear heat deflector is installed on the stove.

Measurements "From Unit" are from the top plate of the stove to a side wall or to a corner, and from the rear heat shield to a back wall.



**NOTE:** Be aware that local Codes and Regulations may override some clearances listed in this manual. Check with your local inspector.

### Residential Installation "C" Vent (Single Wall)

Unit	From Unit		From Corner		From Flue Center-line	
	A	B	C	D	E	F
Small F1100S with Airmate with Rear Deflector	13"	11"	8"	25"	17.5"	20"
	15"	10.5"	11"	27"	17"	23"
Large F3100L with Airmate with Rear Deflector	18"	12"	8.5"	32"	18.5"	22"
	20"	14"	10.5"	34"	20.5"	24"

### Residential Close Clearance (To be installed with required pipe components)

When the stove is installed as a close clearance residential unit, a listed double wall connector is required from the stove collar to the ceiling level.

Unit	From Unit		From Corner		From Flue Center-line	
	A	B	C	D	E	F
Small F1100S with Airmate with Rear Deflector	9"	5"	3"	21"	11.5"	15"
	13.5"	5"	5"	25.5"	11.5"	17"
Large F3100L with Airmate with Rear Deflector	16"	9.5"	8.5"	30"	16"	22"
	20"	12"	8.5"	34"	18.5"	22"

### Mobile Home Close Clearance (To be installed with required pipe components)

"C" Vent single wall pipe is not approved for Mobile Home installations. (Refer to Mobile Home Instructions.)

Unit	From Unit		From Corner		From Flue Center-line	
	A	B	C	D	E	F
Small F1100S with Airmate with Rear Deflector	11"	6"	6"	23"	12.5"	18"
	13"	5"	9"	25"	11.5"	21"
Large F3100L with Airmate with Rear Deflector	18"	9.5"	10"	32"	16"	23.5"
	20"	12"	10"	34"	18.5"	23.5"

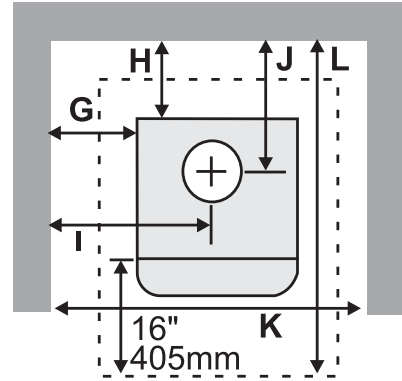


# INSTALLATION

## Minimum Alcove Clearance to Combustible Materials

The Regency Freestanding models have been alcove approved and must be installed with a listed double wall connector to the ceiling level.

**Note:** Minimum alcove ceiling height - 84"  
Maximum depth of alcove - 36"



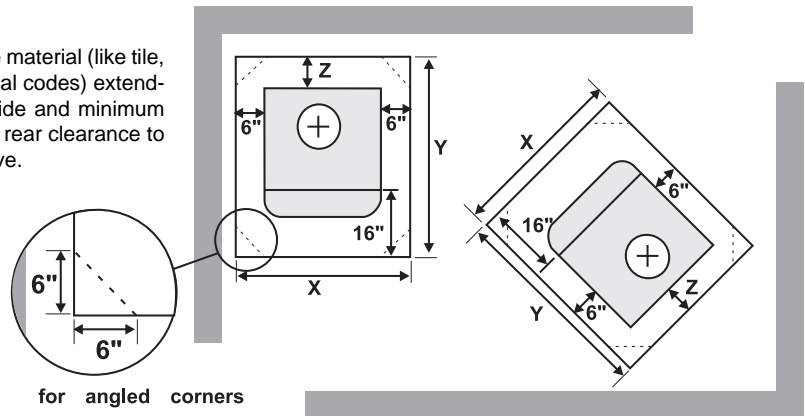
Unit	From Unit	From Flue Center-line		Min. Width	Min. Hearth to Rear Wall		
		G	H			I	J
Small F1100S	with Airmate	11"	7"	23"	13.5"	46"	39"
	with Rear Deflector	13"	5"	25"	11.5"	50"	37"
Large F3100L	with Airmate	16"	9.5"	30"	16"	60"	46.5"
	with Rear Deflector	(not approved for Alcove)					

## Floor Protection

A combustible floor must be protected by a non-combustible material (like tile, concrete board, or certified to UL-1618 or as defined by local codes) extending beneath the heater and a minimum of 6" from each side and minimum 16" from the front face of the stove and minimum 6" (or the rear clearance to combustibles whichever is smaller) from the rear of the stove.

### Minimum Overall Width (X) of Floor Protector for all installations:

Small Stove	F1100S	36"
Large Stove	F3100L	40"



**NOTE:** In Canada, floor protection must extend 18" to the front and 8" to each side of the stove.

Minimum Overall Depth (Y) of Floor Protector									
Unit		Residential "C" Vent		Residential Close Clearance		Mobile Home Close Clearance		Alcove	
		Y	Z	Y	Z	Y	Z	Y	Z
		Small F1100S	with Airmate	38"	6"	37"*	5"	38"	6"
	with Rear Deflector	38"	6"	37"*	5"	37"*	5"	37"*	5"
Large F3100L	with Airmate	43"	6"	43"	6"	43"	6"	43"	6"
	with Rear Deflector	43"	6"	43"	6"	43"	6"	n/a	n/a

\*The rear clearance to combustibles is less than 6" (152mm), for corner installations the rear corners may be angled to take advantage of the closer clearances.

# INSTALLATION

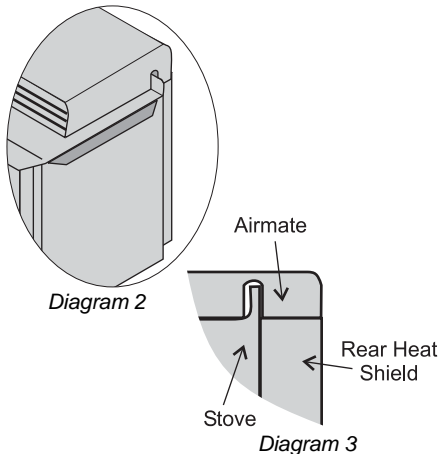
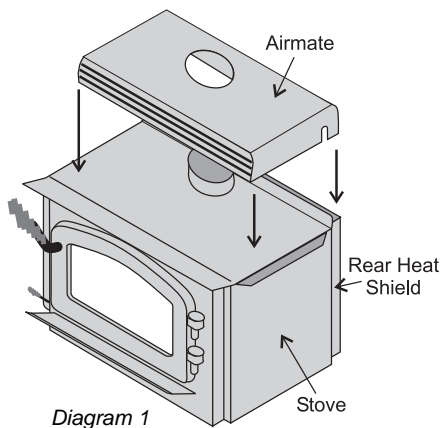
## STOVE ASSEMBLY PRIOR TO INSTALLATION

All units require either the pedestal or 4 legs attached to the base. The F1100 and F3100 stoves require either the Airmate or Rear Heat Deflector on top of the stove. Clearances to combustible materials vary depending on whether the airmate or rear heat deflector is installed, so be sure to check the Minimum Clearance to Combustible Materials section.

### Airmate Assembly for F1100 & F3100

**Small** 850-105  
**Large** 850-305

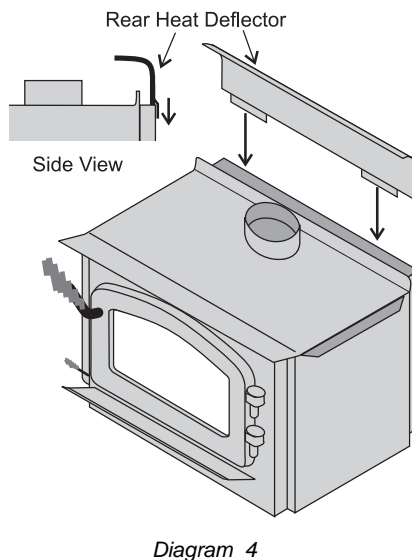
- 1) The airmate sits on top of the stove with the slots in the sides fitting over the curved deflector on the rear stove top. See diagram 1. Discard the Rear Heat Deflector that is supplied with the unit, it is not required if the airmate is installed.
- 2) Center the airmate and push it forward to the front of the stove. The back of the airmate should be level with the back and sides of the rear heat shield. See Diagrams 2 & 3.



### Rear Heat Deflector Assembly for F1100 & F3100

**Small** 815-555  
**Large** 815-556

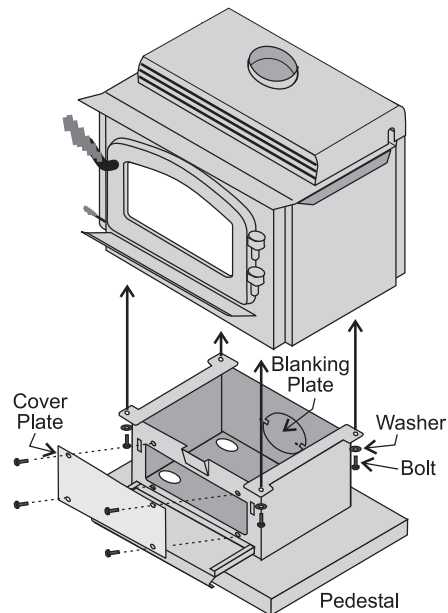
The rear heat deflector is supplied with the stove and must be installed unless the optional airmate has been selected. It stops the heat radiated from the flue collar from overheating the rear wall. The rear heat deflector is installed on top of the rear heat shield, as shown in Diagram 4.



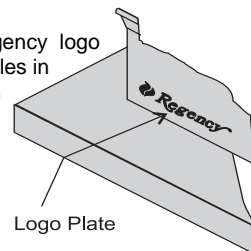
### Pedestal Assembly

**Small** 850-115  
**Large** 850-315

- 1) For easier assembly, tip the stove on its back (onto a soft surface to prevent scratching).  
*Hint: If you have chosen the Ash Drawer option, remove the ash dump cover plates before attaching the pedestal (refer to the Ashdrawer Kit Installation section).*
- 2) Remove the blanking plate:  
a) you are **not** installing outside combustion air or  
b) outside air is to be brought in from the rear of the stove.
- 3) Unscrew the 4 bolts in the under-side of the stove. Align the holes in the corners of the pedestal top with the corresponding holes in the base of the stove. Fasten using a bolt and washer for each corner.



- 4) Push the Regency logo into the two holes in the front bottom left corner of the pedestal cover plate.



**Note: Any paint touch up should be done prior to placing logo on pedestal.**

- 5) If not using ash drawer, then cover plate must be installed. If using ash drawer, then disregard cover plate.

## Leg and Bottom Shield Assembly

### Bottom Shield

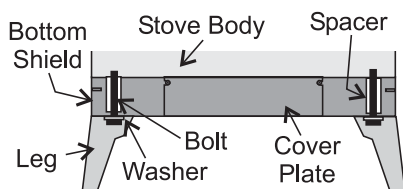
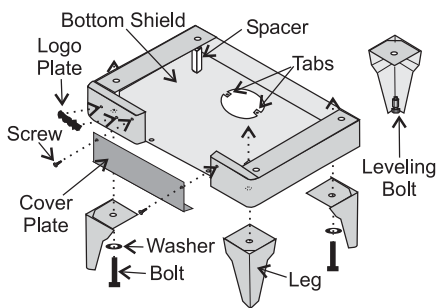
Small	850-121
Large	850-321

### Legs (set of 4)

Cast - Painted Black	850-126
Cast - Gold Plated	850-127

The instructions below apply to the painted cast leg and the gold plated cast leg. It will be easier to attach the legs to the stove if the stove is tipped on its back (preferably on a soft surface to prevent scratching). Ensure to be extremely careful when tipping stove.

- 1) Remove the 4 bolts from underside of the base of the pedestal and discard. Also remove cover plate and put to the side.
- 2) Line up the heat shield with the bottom of the unit.
- 3) Start threading the bolt and washer (supplied with the bottom shield) for about 1/4 of the way through the leg with the washers being underneath the legs. Ensure that the legs are properly aligned with heat shield and tighten the bolts.
- 4) Level the stove by adjusting the levelling bolts in the bottom of each leg.



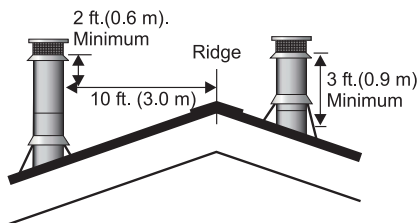
- 5) Reinstall cover plate.
- 6) Install logo plate onto heat shield by placing in 2 holes as shown in diagram.

If you are installing outside combustion air, bend the tabs out 90 degrees. Pipe fresh air into the bottom shield by using a minimum 4" duct pipe with a mesh grill at the outside termination. Attach the pipe to the 2 tabs with screws.

## STEP BY STEP CHIMNEY AND CONNECTOR INSTALLATION

**Note:** These are a generic set of chimney installation instructions. Always follow the manufacturers own instructions explicitly. Check the Minimum Recommended Flue Heights section (Table 1).

- 1) With your location already established, cut and frame the roof hole. It is recommended that no ceiling support member be cut for chimney and support box installation. If it is necessary to cut them, the members must be made structurally sound.
- 2) Install radiant shield and support from above.
- 3) Stack the insulated pipe onto your finish support to a minimum height of 3 feet above the roof penetration, or 2 feet above any point within 10 feet measured horizontally. There must be at least 3 feet of chimney above the roof level.

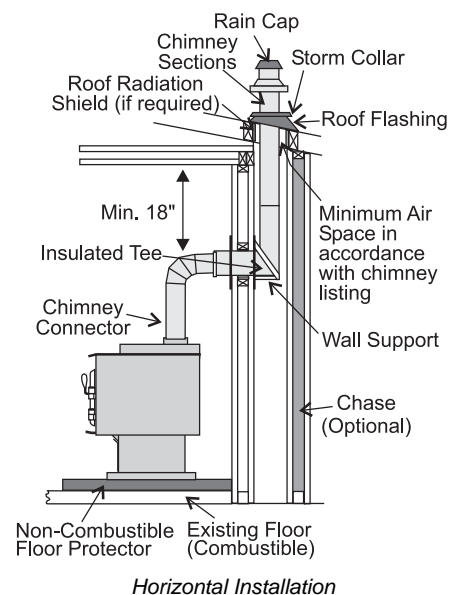
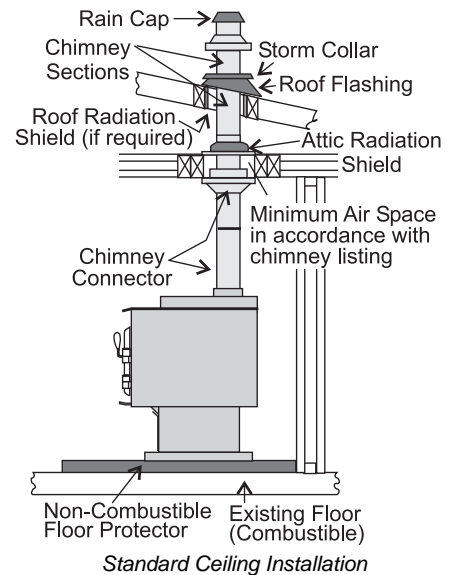


**Note:** Increasing the chimney height above this minimum level will sometimes help your unit to "breathe" better by allowing a greater draft to be created. This greater draft can decrease problems such as, difficult start-ups, back-smoking when door is open, and dirty glass. It might be sufficient to initially try with the minimum required height, and then if problems do arise add additional height at a later date.

- 4) Slide the roof flashing over your chimney and seal the flashing to the roof with roofing compound. Secure the flashing to your roof with nails or screws.
- 5) Place the storm collar over the flashing, sealing the joints with a silicone caulking.
- 6) Fasten the raincap with spark screens (if required) to the top of your chimney.
- 7) For optimum efficiency when installing into a masonry chimney, size accordingly, i.e. the 6" (152mm) flue dia. is 28.28 sq.in.

- 8) To complete your chimney installation, install the double wall connector pipe from the stove's flue collar to the chimney support device.
- 9) If you are using a horizontal connector, the chimney connector should be as high as possible while still maintaining the 18" (457mm) minimum distance from the horizontal connector to the ceiling.
- 10) **NOTE: Residential Close Clearance and Alcove installations require a listed double wall connector from the stove collar to the ceiling level.**

The diagrams below illustrate one way to install your unit into a standard ceiling or with a horizontal connector. Check with your dealer or installer for information on other options available to you.



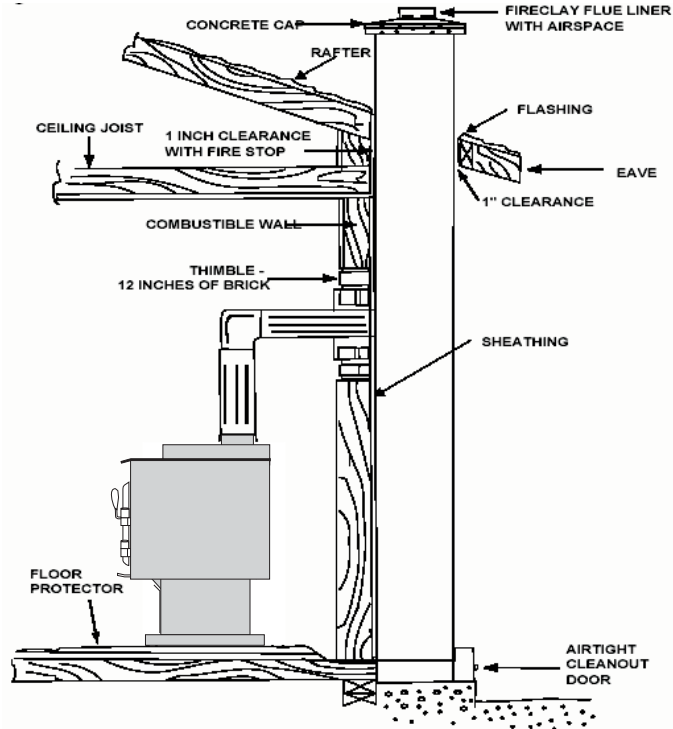
# INSTALLATION

## MASONRY CHIMNEY

Ensure that a masonry chimney meets the minimum standards of the National Fire Protection Association (NFPA) by having it inspected by a professional. Make sure there are no cracks, loose mortar or other signs of deterioration and blockage. Have the chimney cleaned before the stove is installed and operated. When connecting the stove through a combustible wall to a masonry chimney, special methods are needed.

Ensure that an effective vapour barrier at the location where the chimney or other component penetrates to the exterior of the structure.

When referencing installation or connection to masonry fireplaces or chimneys, the masonry construction must or shall be code complying.

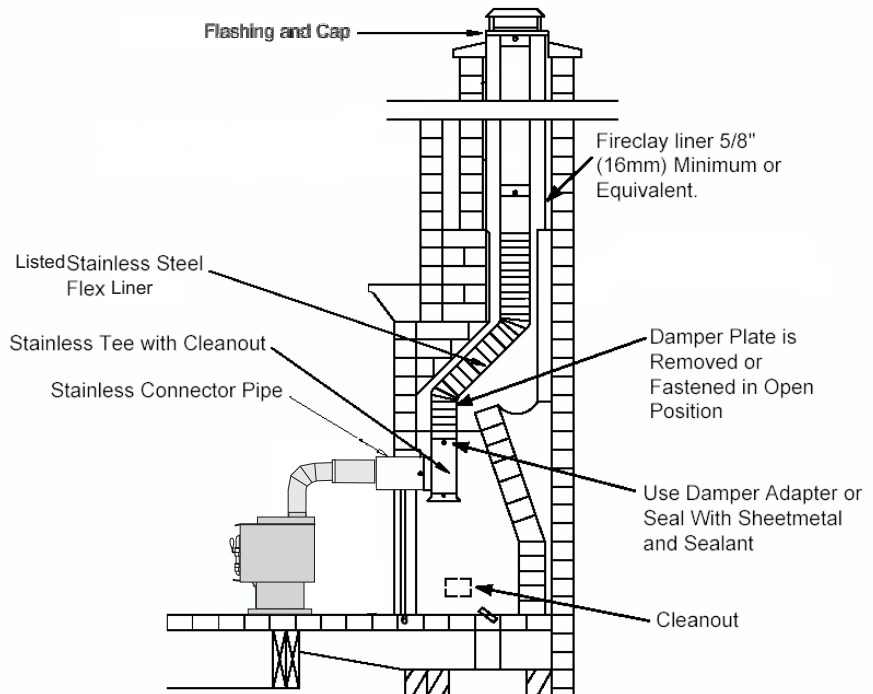


## MASONRY FIREPLACE

There are listed kits available to connect a stove to a masonry fireplace. The kit is an adapter that is installed at the location of the fireplace damper. The existing damper may have to be removed to allow installation.

Ensure that an effective vapour barrier at the location where the chimney or other component penetrates to the exterior of the structure.

When referencing installation or connection to masonry fireplaces or chimneys, the masonry construction must or shall be code complying.



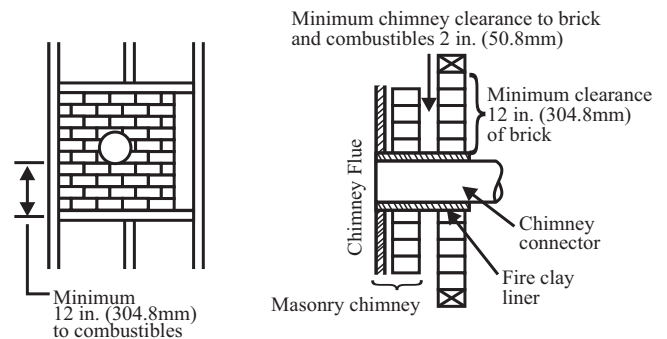
## FACTORY BUILT CHIMNEY

When a metal prefabricated chimney is used, the manufacturer's installation instructions must be followed. You must also purchase and install the ceiling support package or wall pass-through and "T" section package, firestops (where needed), insulation shield, roof flashing, chimney cap, etc. Maintain proper clearance to the structure as recommended by the manufacturer. The chimney must be the required height above the roof or other obstructions for safety and proper draft operation. The space heater is to be connected to a factory-built chimney conforming to CAN/ULC-S629, Standard for 650°C Factory-Built Chimneys.

## COMBUSTIBLE WALL CHIMNEY CONNECTOR PASS-THROUGHS

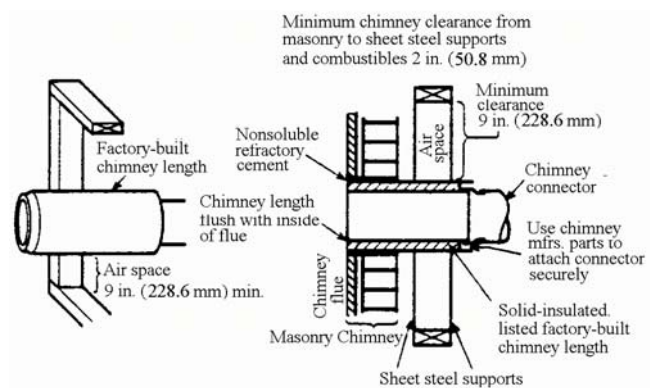
### Method A: 12" (304.8 mm) Clearance to Combustible Wall Member:

Using a minimum thickness 3.5" (89 mm) brick and a 5/8" (15.9 mm) minimum wall thickness clay liner, construct a wall pass-through. The clay liner must conform to ASTM C315 (Standard Specification for Clay Fire Linings) or its equivalent. Keep a minimum of 12" (304.8 mm) of brick masonry between the clay liner and wall combustibles. The clay liner shall run from the brick masonry outer surface to the inner surface of the chimney flue liner but not past the inner surface. Firmly grout or cement the clay liner in place to the chimney flue liner.



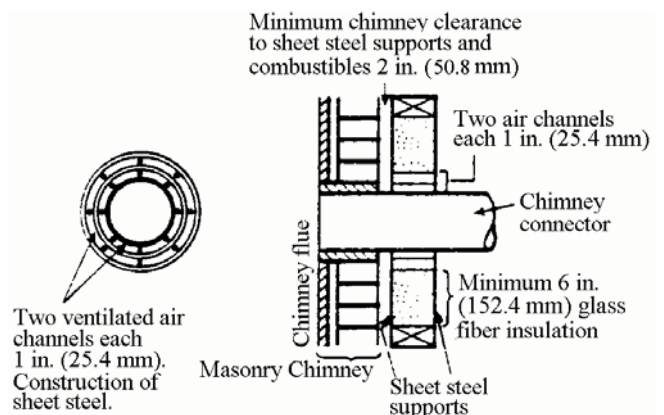
### Method B: 9" (228.6 mm) Clearance to Combustible Wall Member:

Using a 6" (152.4 mm) inside diameter, listed, factory-built Solid-Pak chimney section with insulation of 1" (25.4 mm) or more, build a wall pass-through with a minimum 9" (228.6 mm) air space between the outer wall of the chimney length and wall combustibles. Use sheet metal supports fastened securely to wall surfaces on all sides, to maintain the 9" (228.6 mm) air space. When fastening supports to chimney length, do not penetrate the chimney liner (the inside wall of the Solid-Pak chimney). The inner end of the Solid-Pak chimney section shall be flush with the inside of the masonry chimney flue, and sealed with a non-water soluble refractory cement. Use this cement to also seal to the brick masonry penetration.



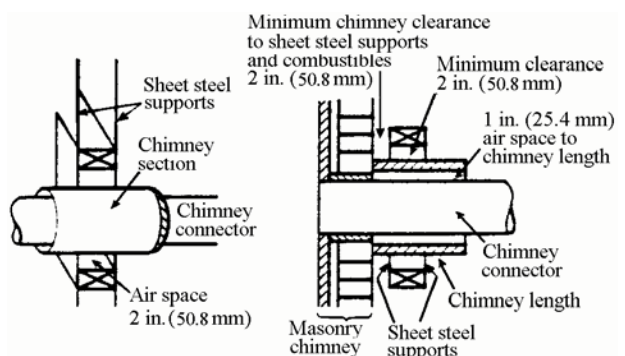
### Method C: 6" (152.4 mm) Clearance to Combustible Wall Member:

Starting with a minimum 24 gage (.024" [0.61 mm]) 6" (152.4 mm) metal chimney connector, and a minimum 24 gage ventilated wall thimble which has two air channels of 1" (25.4 mm) each, construct a wall pass-through. There shall be a minimum 6" (152.4 mm) separation area containing fiberglass insulation, from the outer surface of the wall thimble to wall combustibles. Support the wall thimble, and cover its opening with a 24-gage minimum sheet metal support. Maintain the 6" (152.4 mm) space. There should also be a support sized to fit and hold the metal chimney connector. See that the supports are fastened securely to wall surfaces on all sides. Make sure fasteners used to secure the metal chimney connector do not penetrate chimney flue liner.



### Method D: 2" (50.8 mm) Clearance to Combustible Wall Member:

Start with a solid-pak listed factory built chimney section at least 12" (304 mm) long, with insulation of 1" (25.4 mm) or more, and an inside diameter of 8" (2 inches [51 mm] larger than the 6" [152.4 mm] chimney connector). Use this as a pass-through for a minimum 24-gage single wall steel chimney connector. Keep solid-pak section concentric with and spaced 1" (25.4 mm) off the chimney connector by way of sheet metal support plates at both ends of chimney section. Cover opening with and support chimney section on both sides with 24 gage minimum sheet metal supports. See that the supports are fastened securely to wall surfaces on all sides. Make sure fasteners used to secure chimney flue liner.





# INSTALLATION

TABLE 1

MINIMUM RECOMMENDED FLUE HEIGHTS IN FEET (Measured from the top of the unit)							
ELEVATION (FT) ABOVE SEA LEVEL	# OF ELBOWS						
	0	2 x 15°	4 x 15°	2 x 30°	4 x 30°	2 x 45°	4 x 45°
0-1000	12.0	13.0	14.0	15.0	18.0	16.0	20.0
1000-2000	12.5	13.5	14.5	15.5	19.0	16.5	21.0
2000-3000	13.0	14.0	15.0	16.0	19.5	17.0	21.5
3000-4000	13.5	14.5	15.5	17.0	20.0	18.0	22.5
4000-5000	14.0	15.0	16.0	17.5	21.0	18.5	23.0
5000-6000	14.5	15.5	17.0	18.0	21.5	19.0	24.0
6000-7000	15.0	16.0	17.5	18.5	22.5	20.0	25.0
7000-8000	15.5	16.5	18.0	19.0	23.0	20.5	25.5
8000-9000	16.0	17.0	18.5	20.0	24.0	21.0	26.5
9000-10000	16.5	17.5	19.0	20.5	24.5	22.0	27.0

**NOTE: No more than two offsets (four elbows) allowed. Two 45° elbows equal one 90° elbow.**

## RECOMMENDED HEIGHTS FOR WOODSTOVE FLUE

Simple rules on draft. See Table 1.

- At sea level minimum height is 12' straight.
- Add the following vertical height to compensate for:
  - 45 deg. elbow = 1 ft.
  - 90 deg. elbow = 2 ft.
  - "T" = 3 ft.
 Each foot of horizontal run = 2 ft.
- Add 4% overall for each 1000' above sea level.

**Example: a)**

1-1/2 ft. of horizontal run = 3 ft.  
 one "T" = 3 ft.  
 Total Addition (at sea level) = 6 ft.

**Example: b)**

One 90 deg. elbow = 2 ft.  
 2 ft. of horizontal run = 4 ft.  
 one "T" = 3 ft.  
 Total Addition (at sea level) = 9 ft.

Elevation	Recommended Flue Height Example a)	Example b)
0'	18'	21'
1000'	18.72'	21.84'
2000'	19.44'	22.68'
5000'	21.60'	25.20'
8000'	23.76'	27.72'

## MOBILE HOME INSTALLATION

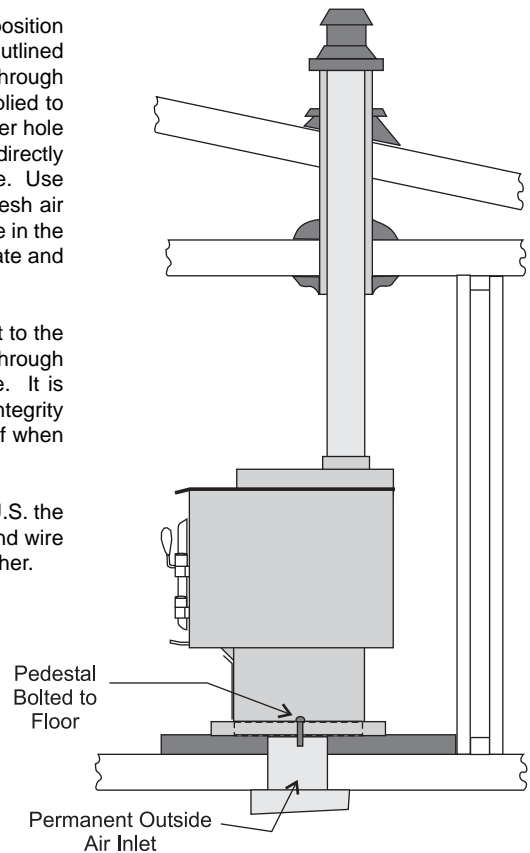
Once you have properly marked the position of your unit and the floor protection as outlined in the Residential Installation items #1 through #8, a supply of fresh air has to be supplied to your unit. Cut a minimum 4 inch diameter hole through your floor protector and the floor directly under your pedestal base to the outside. Use 4" duct pipe with a mesh grill to pipe fresh air into the pedestal area. Block off the hole in the back of the pedestal with the square plate and the two 1/2" screws provided.

Place your unit in position and secure it to the floor using two lag bolts 3/8" x 3-1/2" through the two holes inside the pedestal base. It is important to maintain the structural integrity of the Mobile Home floor, walls and roof when installing your unit.

For Mobile Home units installed in the U.S. the unit must be grounded using a #8 ground wire with approved termination and star washer.

**WARNING:**  
 Minimum height requirements must be met. Safe removal of the chimney system must be adhered to when transporting the mobile home.

**WARNING: Operate only with door fully closed - open feed door to feed fire only.**



## LISTED COMPONENTS FOR MOBILE HOME INSTALLATION

The Regency Small and Large Freestanding pedestal units are approved for installation in a Mobile Home if one of the following pipe systems is used.

### U.S. Installation\*

#### METALBESTOS SSII

Qty. Part #	Description
1 6DS-VK	Connector Kit
1 6TMH	Shield/Support
1 6TAF-6	Flashing
1 6T-36	Chimney Length
1 6T-18	Chimney Length
1 6T-CT	Rain Cap

#### PRO-JET 3103

Qty.Part #	Description
1 PV06-TK	Connector
1 CSB	Shield/Support
1 RRS	Radiation Shield
1 LFR03	Flashing
1 SL3	Chimney Length
1 SL1	Chimney Length
1 RCSA	Rain Cap

#### SECURITY ASHT

Qty.Part #	Description
1 DL42A-6	Connector Kit
1 6SS	Shield/Support
1 6FAMH	Flashing
1 6L3	Chimney Length
1 6L1	Chimney Length
1 CPE	Rain Cap

#### SECURITY S2100

Qty.Part #	Description
1 DL42A-6	Connector Kit
1 6XSF	Support
1 6XFA	Flashing
1 6XL3	Chimney Length
1 6XL18	Chimney Length
1 6XCPE	Rain Cap

#### METAL-FAB TEMP/GUARD 2100

Qty.Part #	Description
1 6DWBK	Connector
1 6TGRS	Roof Support
1 6TGG36	Chimney Length
1 6TGG12	Chimney Length
1 6TGF	Flashing
1 6TGC	Rain Cap

### AMERI-TEC HS

Qty.Part #	Description
1 6DCC	Connector
1 6HSRS-12	Roof Support (6PLRS-12-BK)
1 6F	Flashing
1 6HS-36	Chimney Length
1 6HS-18	Chimney Length
1 6HS-RCS	Rain Cap (6PL-MPC)

### SIMPSON DURA-PLUS

Qty.Part #	Description
1 6DVL8693	Connector Kit
1 6DP-MH9096	Mobile Home Kit

### ICC EXCEL 2100

Qty.Part #	Description
1 6CL48	48" Chimney length (also in 12", 18", 24" lengths.
1 6RC	Rain Cap
1 6RCS	Spark Screen (for rain cap)
1 6RDS/SQS	Round/Square support box
1 6VF	Flashing
1 6UBA	"Ultrablack" Close Clearance Connector

### Canadian Installations\*

#### SECURITY S2100 (see above for details)

#### ICC EXCEL 2100 (see above for details)

\*The use of alternate pitch flashings, support box extensions, additional chimney lengths, and additional chimney bracing, may be used on each of the previously listed systems. These parts though must be from the same system as listed, and must be a similar and/or complimentary part.

**CAUTION: At no time use unlabelled parts, or substitute parts made for another chimney system.**

Install as per chimney manufacturer's installation instructions.



# INSTALLATION

## BRICK FLUE BAFFLE & SECONDARY AIR TUBE INSTALLATION

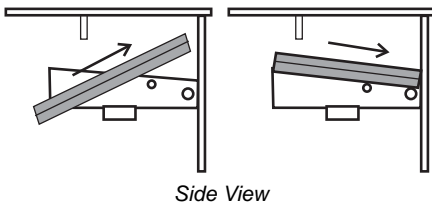
The flue baffle system located in the upper area of the firebox is removable to make cleaning your chimney system easier. The brick baffles must be installed prior to your first fire. **Smoke spillage and draft problems may occur if the baffles are improperly positioned.** Check the position of the brick baffles on a regular basis as they can be dislodged if too much fuel is forced into the firebox.

The Large Stoves F3100L and S3100L are shipped with one of the secondary air tubes loose inside the firebox. It needs to be installed after the brick baffle are installed. Follow the directions below.

### Large Stove F3100L

The unit arrives with the third air tube (from the front) and the 2 baffle bricks on the floor of the firebox. The baffle bricks are positioned first and then the air tubes are installed.

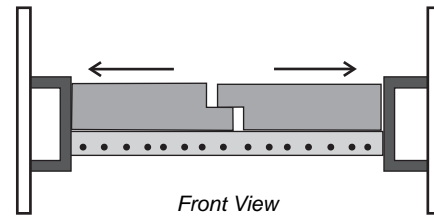
- 1) Slide the left baffle brick over the two rear air tubes and then push it all the way to the left side of the firebox.



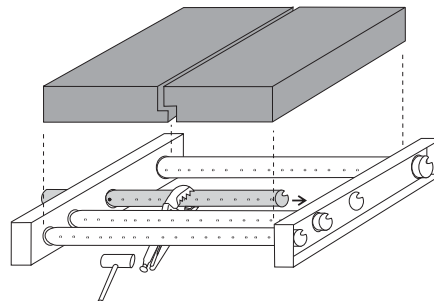
- 2) Tilt the first Baffle Brick down and then slide the 2nd Baffle Brick up and back. Reposition both baffle bricks flat on the air tubes.



- 3) **Important: push both baffle bricks so they are tight against the side walls.**



- 4) Install the third air tube into the holes on the side channels. The notch goes on the right hand side with the air holes facing forward toward the door opening. If the tube will not slide in easily, simply use a pair of vise grips or pliers and tap it into place with a hammer. A tighter fit will ensure the tube will not move when the unit is burning.

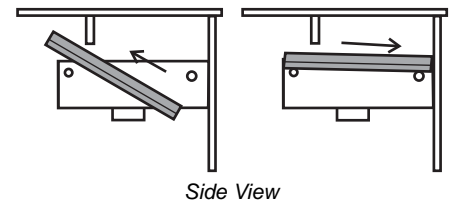


**Note: When cleaning the chimney reverse the above procedures, removing the air tube and baffle bricks and then replace them when cleaning is completed.**

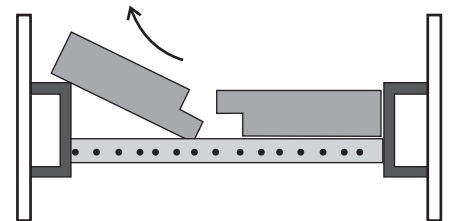
### Small Stove F1100S

- 1) If the two air tubes are installed continue on to Step 2), if not, follow the instructions below. Install the air tube into the holes in the side channels. The notch goes on the right hand side with the air holes facing toward the door. Slide the tube into the left hand side, as far as possible and then bring it back into the hole on the right hand side until it locks into position. If the tube will not slide in easily simply use a pair of vise grips or pliers and tap it into place with a hammer. A tighter fit will ensure the tube will not move when the unit is burning. Refer to the Mobile Home Installation section, though there are only two air tubes in the small units.

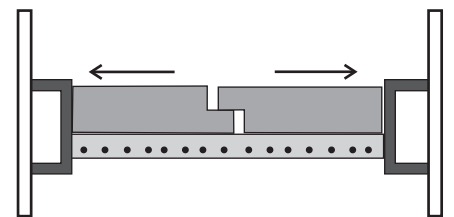
- 2) Slide the left baffle brick over the front air tube and then slide it back over the rear air tube.



- 3) Tilt the left baffle brick up on top of the side channel and it will leave enough room to position the right baffle brick in the same manner as Step 1 above. Then reposition the left baffle brick flat on the air tube.



- 4) **Important: push both baffle bricks so they are tight against the side walls.**



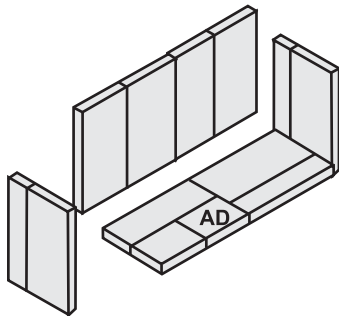
**Note: When getting the chimney cleaned, remove the baffle bricks for access to the flue, then replace them when cleaning is completed.**

# INSTALLATION

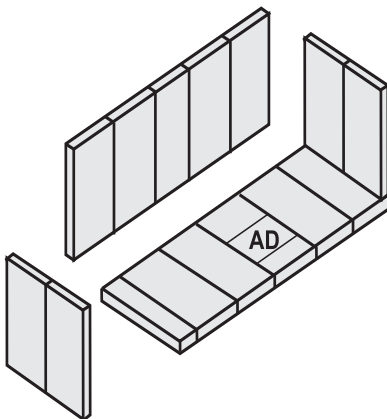
## BRICK INSTALLATION

Firebrick is included to extend the life of your stove and radiate heat more evenly. Check to see that all firebricks are in their correct positions and have not become misaligned during shipping.

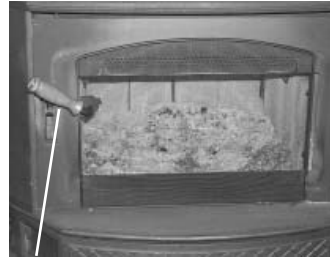
The "AD" brick in the drawings above is the brick covering the Ash Dump hole that is used when the Ash Drawer Kit is installed (refer to the Listed Components for Mobile Home Installation section).



Freestanding - Small F1100



Freestanding - Large F3100

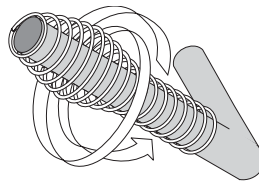


Handle at 10 o'clock position.

**NOTE:** The handle must be positioned at 10 o'clock when closed to avoid the handle from getting hot and to ensure the screen stays in place.

## DOOR HANDLE

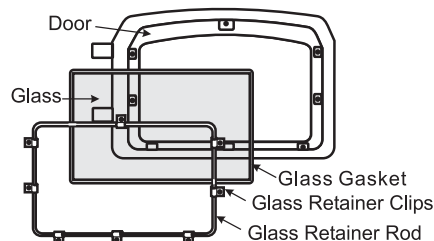
Attach spring handle by rotating counter clockwise onto rod. Ensure that the rod fits into the entire length of the spring handle. See Diagram below.



## GLASS INSTALLATION

Your Regency stove is supplied with 5 mm Neoceram ceramic glass that will withstand the highest heat that your unit will produce. In the event that you break your glass by impact, purchase your replacement from an authorized Regency dealer only.

Remove the door from the stove and remove the glass retainer. Position the glass in the door, make sure that the glass gasketing will properly seal your unit, and replace the retainer, it should rest on the gasket not the glass. Tighten securely, but do not wrench down on the glass as this may cause the glass to break.

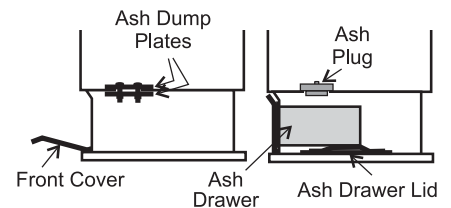


## OPTIONAL ACCESSORIES

The pieces listed below can be purchased and installed during the initial installation or added on later.

## Pedestal Ash Drawer Kit (850-100)

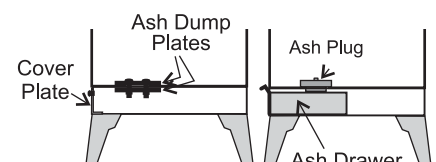
- 1) Remove the bricks from the floor of the firebox.
- 2) If using ashdrawer, discard cover plate.
- 3) Remove the ash dump cover plates (one inside the firebox and one on the underside of the firebox) by removing the two nuts and bolts holding the 2 plates together from inside the firebox.
- 4) Push the ash plug into the hole inside the firebox and replace all the bricks except for the brick over the ash plug. See brick diagrams.
- 5) Place the ash drawer lid inside the pedestal, and the ash plug tool beside the lid, then slide the ash drawer inside so it sits on top of the lid.



Refer to the Ash Drawer Operating section.

## Bottom Shield Ash Drawer Kit (850-101)

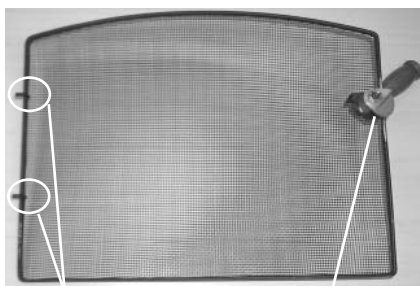
- 1) Remove the bricks from the floor of the firebox.
- 2) Remove and discard the cover plate by removing the two screws on the front of the Bottom Shield.
- 3) Remove the ash dump cover plates (one inside the firebox and one on the underside of the firebox) by removing the two nuts and bolts holding the 2 plates together from inside the firebox.
- 4) Push the ash plug into the hole inside the firebox and replace all the bricks except for the brick over the ash plug. See brick diagrams.
- 5) Place the ash plug tool beside the lid, then slide the ash drawer inside.



Refer to the Ash Drawer Operating section.

## SCREEN DOOR

Hook screen to the inside on the right side of the firebox door opening. Lock in place by turning handle.



Hooks

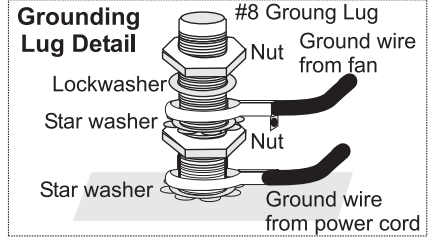
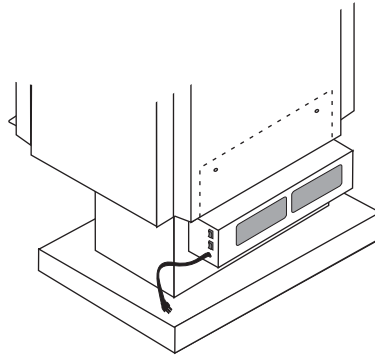
Handle Lock

Back Side of Screen Shown

# INSTALLATION

## Blower/Fan (846-515)

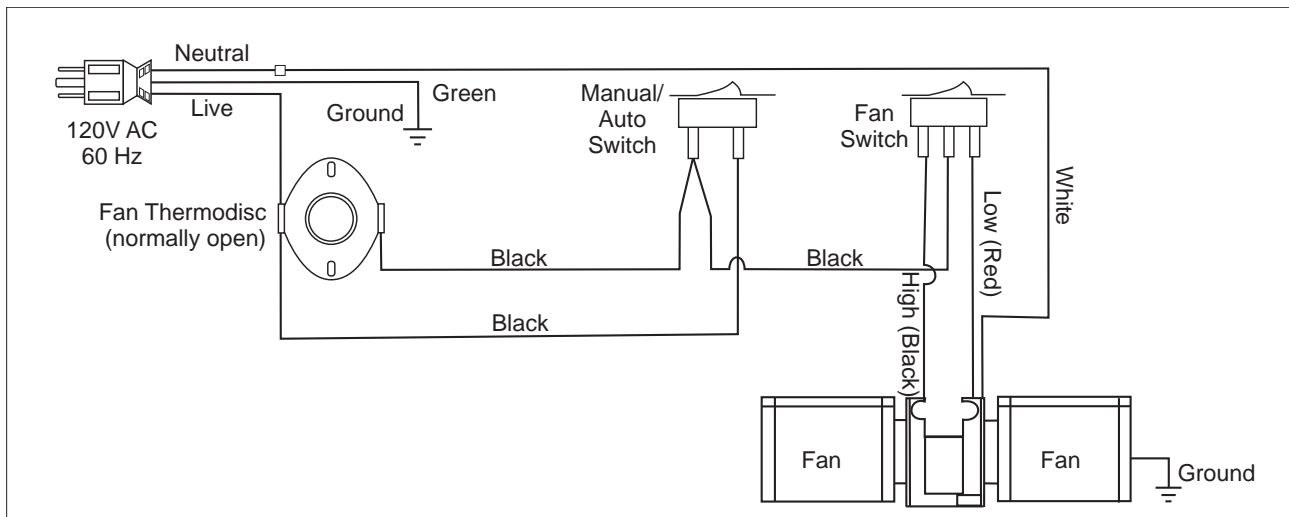
- 1) Remove the two screws from the top of the fan housing.
- 2) Slide the fan up into the rear heat shield.
- 3) After aligning holes, secure the fan to the rear heat shield using the two screws removed earlier.



**Note:** The connection cord should not be in contact with any hot surfaces.

Read the operating instructions for the fan before using.

**NOTE:** This appliance, when installed, must be electrically grounded in accordance with local codes or, in the absence of local codes, with the National Electrical Code, ANSI/NFPA 70, or the Canadian Electrical code, CSA C22.1.



Blower/Fan Wiring Diagram

**WARNING: Electrical Grounding Instructions**  
This appliance is equipped with a three pronged (grounding) plug for your protection against shock hazard and should be plugged directly into a properly grounded three-prong receptacle. Do not cut or remove the grounding prong from this plug.

**CAUTION: Label all wires prior to disconnection when servicing controls. Wiring errors can cause improper and dangerous operation.**

# OPERATING INSTRUCTIONS

## OPERATING INSTRUCTIONS

With your unit now correctly installed and safety inspected by your local authority, you are now ready to start a fire. Before establishing your first fire, it is important that you fully understand the operation of your draft control.

### WARNING

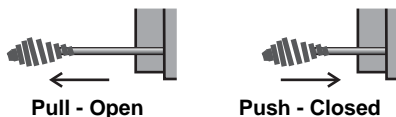
**Fireplace Stoves equipped with doors should be operated only with doors fully closed. If doors are left partly open, gas and flame may be drawn out of the fireplace stove opening, creating risks from both fire and smoke.**

**When operated with doors open the manufacturer supplied screen must be used.**

## DRAFT CONTROL

Both the primary and air wash drafts are controlled by the control rod located on the left side of the unit (when facing the unit). To increase your draft - pull open, and to decrease - push closed. All units have a secondary draft system that continually allows combustion air to the induction ports at the top of the firebox, just below the flue baffle.

**Important:** If you are using room air for combustion, make sure that the back cover plate at the rear of the pedestal is not installed. The cover plate must be installed on the unit if your stove is located in a mobile home or if using outside air.



**WARNING: To build a fire in ignorance or to disregard the information contained in this section can cause serious permanent damage to the unit and void your warranty!!**

## FIRST FIRE

When your installation is completed and inspected you are ready for your first fire.

- 1) Open control fully.
- 2) Open firebox door and build a small fire using paper and dry kindling. Secure door on the firebox and wait a few minutes for a

good updraft in the flue to establish the fire. (Leaving the door slightly open will help your fire start more rapidly.)

**CAUTION: Never leave unit unattended if door is left open. This procedure is for fire start-up only, as unit may overheat if door is left open for too long.**

- 3) With the draft still in the fully open position add two or three seasoned logs to your fire. Form a trench in the ash bed to allow air to reach the rear of the firebox prior to closing the door.
- 4) After about 15 to 20 minutes, when your wood has begun to burn strongly, adjust your draft control down to keep the fire at a moderate level.

**WARNING: Never build a roaring fire in a cold stove. Always warm your stove up slowly!**

- 5) Once a bed of coals has been established, you may adjust the draft control to a low setting to operate the unit at its most efficient mode.
- 6) During the first few fires, keep the combustion rate at a moderate level and avoid a large fire. Only after 5 or 6 such fires can you operate the stove at its maximum setting, and only after the metal has been warmed.
- 7) For the first few days, the stove will give off an odour from the paint. This is to be expected as the high temperature paint becomes seasoned. Windows and/or doors should be left open to provide adequate ventilation while this temporary condition exists. Burning the stove at a very high temperature the first few times may damage the paint. Burn fires at a moderate level the first few days.

8) Do not place anything on the stove top during the curing process. This may result in damage to your paint finish.

9) During the first few days it may be more difficult to start the fire. As you dry out your firebrick and your masonry flue, your draft will increase.

10) For those units installed at higher elevations or into sub-standard masonry fireplaces, drafting problems may occur. Consult an experienced dealer or mason on methods of increasing your draft.

11) Some cracking and popping noises may be experienced during the heating up process. These noises will be minimal when your unit reaches temperature.

12) Before opening your door to reload, open draft fully for approximately 10 to 15 seconds until fire has been re-established. This will minimize any smoking.

13) All fuel burning appliances consume oxygen during operation. It is important that you supply a source of fresh air to your unit while burning. A slightly opened window is sufficient for the purpose. If you also have a fireplace in your home, a downdraft may be created by your Regency Stove causing a draft down your chimney. If this occurs, slightly open a window near your unit.

**CAUTION: If the body of your unit, flue baffle or any part of the chimney connector starts to glow, you are overfiring. Stop loading fuel immediately and close the draft control until the glow has completely subsided.**

14) Green or wet wood is not recommended for your unit. If you must add wet or green fuel, open the draft control fully until all moisture has been dispersed by the intense fire. Once all moisture has been removed, the draft control may be adjusted to maintain the fire.

15) If you have been burning your stove on a low draft, use caution when opening the door. After opening the damper, open the door a crack, and allow the fire to adjust before fully opening the door.

16) The controls of your unit or the air supply passages should not be altered to increase firing for any reason.

17) If you burn the unit too slowly or at too low a setting your unit will not be operating as efficiently as it can. An easy rule of thumb says that if your glass is clean, then your flue is clean and your exhaust is clean. Burn the stove hot enough to keep your glass clean and you won't need to clean your flue as often.

**NOTE:** If using a smoke detector, select an area in the room where the appliance is located that will not prematurely set off the smoke detector.

# OPERATING INSTRUCTIONS

## ASH DISPOSAL

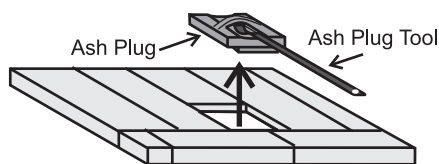
During constant use, ashes should be removed every few days. The Ash Drawer option features a convenient ash dump for easy removal of ash, refer to the "Modular Options" section.

### Safety Precautions

- 1) Do not allow ashes to build up to the loading doors! Only remove ashes when the fire has died down. Even then, expect to find a few hot embers.
- 2) Please take care to prevent the build-up of ash around the start-up air housing located inside the stove box, under the loading door lip.
- 3) Never start a fire if the ash plug and ash drawer are not in place. This will cause overfiring which can cause excessive warping of the stove. Evidence of overfiring can void the warranty on your stove.
- 4) The firebricks are brittle and can be damaged if the plug is replaced carelessly or pieces that are too large are forced through the hole.

### Ash Drawer Operating Guideline

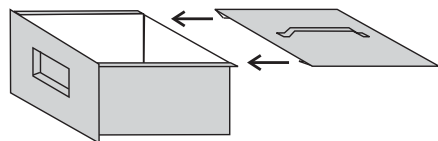
- 1) Only clean ashes out of the stove when the unit has cooled down. Remove the plug by lifting on the handle using the tool provided. The plug may still be warm, use caution. Push the ashes down the hole into the ash drawer, the large pieces can be left in the firebox and burned during the next fire or removed through the door opening.



- 2) Always leave 1/2 to 1 inch of ash in the bottom of the firebox. This helps in easier starting and a more uniform burn of your fire. Replace ash plug when ashes have been removed.

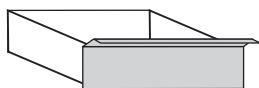
#### 3) Pedestal Units:

To remove the drawer, lift slightly and slide it out. When the drawer is completely out, slide the cover plate over the ash drawer and carry away.



#### Bottom Shield (with Legs) Units:

To remove the drawer, lift slightly and slide it out, and carry it away.



- 4) When emptying the ash drawer, make sure the ashes are cold. Ashes should be placed in a metal container with a tight fitting lid. The closed container of ashes should be placed on a non - combustible floor or on the ground, well away from all combustible materials, pending final disposal. If the ashes are disposed of by burial in soil or otherwise locally dispersed, they should be retained in the closed container until all cinders have thoroughly cooled. Other waste should not be placed in the ash container.
- 5) Before putting the ash drawer back into place, make sure the ash plug is back in place.

Pedestal Units: make sure the cover lid is off.

## SAFETY GUIDELINES AND WARNINGS

- 1) Never use gasoline, gasoline type lantern fuels, kerosene, charcoal lighter fuel, or similar liquids to start or 'freshen up' a fire in your heater. Keep all such liquids well away from the heater while it is in use.
- 2) Keep the door closed during operation and maintain all seals in good condition.
- 3) Do not burn any quantities of paper, garbage, and never burn flammable fluids such as gasoline, naphtha or engine oil in your stove.
- 4) If you have smoke detectors, prevent smoke spillage as this may set off a false alarm.
- 5) Do not overfire heater. If the chimney connector, flue baffle or the stove top begin to glow, you are overfiring. Stop adding fuel and close the draft control. Overfiring can cause extensive damage to your stove including warpage and premature steel corrosion. Overfiring will void your warranty.
- 6) Do not permit creosote or soot build-up in the chimney system. Check and clean chimney at regular intervals. Failure to do so can result in a serious chimney fire.
- 7) Your Regency stove can be very hot. You may be seriously burned if you touch the stove while it is operating, keep children, clothing and furniture away. Warn children of the burn hazard.

8) The stove consumes air while operating, provide adequate ventilation with an air duct or open a window while the stove is in use.

9) Do not connect this unit to a chimney flue serving another appliance.

10) Do not use grates or andirons or other methods for supporting fuel. Burn directly on the bricks.

11) Open the draft control fully for 10 to 15 seconds prior to slowly opening the door when refuelling the fire.

12) Do not connect your unit to any air distribution duct.

13) Your woodstove should burn dry, standard firewood only. The use of cut lumber, plywood, "mill ends", coal, charcoal etc. is prohibited as this fuel can easily overheat your woodstove. Evidence of excessive overheating will void your warranty. As well, a large portion of sawmill waste is chemically treated lumber, which is illegal to burn in many areas. Salt drift wood and chemically treated fire logs also must not be burned in your woodstoves.

14) Do not store any fuel closer than 2 feet from your unit. Do not place wood, paper, furniture, drapes or other combustibles near the appliance.

15) **WARNING: Do not operate without either the Ash Plug properly seated or the Ash Dump Plates screwed in place, excessive temperatures will result.**

16) Do not operate with broken glazing.

## FAN OPERATION

### Automatic

To operate the fan automatically, push the bottom switch on the side of the fan housing to "AUTO" and the top switch to either "HIGH" or "LOW" for fan speed.

This will allow the fan to turn on as the stove has come up to operating temperature. It will also shut the fan system off after the fire has gone out and the unit cooled to below a useful heat output range.

### Manual

To manually operate the fan system push the bottom switch to "MAN" and the top switch to either "HIGH" or "LOW". This will bypass the sensing device and allow full control of the fan.

Switching from "AUTO" to "MAN" or "HIGH" to "LOW" may be done anytime.



## MAINTENANCE

It is very important to carefully maintain your fireplace stove, including burning seasoned wood and maintaining a clean stove and chimney system. Have the chimney cleaned before the burning season and as necessary during the season, as creosote deposits may build up rapidly. Moving parts of your stove require no lubrication.

## CREOSOTE

When wood is burned slowly, it produces tar and other organic vapours, which when combined with moisture, form creosote. The creosote vapours condense in the relatively cool chimney flue of a slow burning fire. As a result, creosote residue accumulates on the flue lining. When ignited, this creosote can result in an extremely hot fire.

**WARNING:** Things to remember in case of a chimney fire:

1. Close all draft and damper controls.
2. **CALL THE FIRE DEPARTMENT.**

### Ways to Prevent and Keep Unit Free of Creosote

- 1) Burn stove with the draft control wide open for about 10-15 minutes every morning during burning season.
- 2) Burn stove with draft control wide open for about 10 - 15 minutes every time you apply fresh wood. This allows the wood to achieve the charcoal stage faster and burns up any unburned gas vapours which might otherwise be deposited within the system.
- 3) **Only burn seasoned wood!** Avoid burning wet or green wood. Seasoned wood has been dried at least one year.
- 4) A small hot fire is preferable to a large smouldering one that can deposit creosote within the system.
- 5) Check the chimney at least twice a month during the burning season for creosote build-up.
- 6) Have chimney system and unit cleaned by competent chimney sweeps twice a year during the first year of use and at least once a year thereafter or when a significant layer of creosote has accumulated (3 mm/1/8" or more) it should be removed to reduce the risk of a chimney fire.

## MAINTENANCE OF GOLD-PLATED DOORS

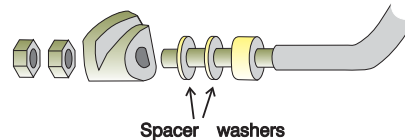
The gold electroplated finish on the door requires little maintenance, and need only be cleaned with a damp cloth. DO NOT use abrasive materials or chemical cleaners, as they may harm the finish and void the warranty.

## DOOR GASKET

If the door gasket requires replacement 7/8" diameter material must be used. Regency uses AMATEX # 10-863KR 7/8" dia. gasket. A proper high temperature gasket adhesive is required. See your Regency Dealer.

## LATCH ADJUSTMENT

The door latch may require adjustment as the door gasket material compresses after a few fires. Removal of the spacer washer, shown in the diagram below, will allow the latch to be moved closer to the door frame, causing a tighter seal. Remove and replace the nuts, washer and spacer as shown.



## GLASS MAINTENANCE

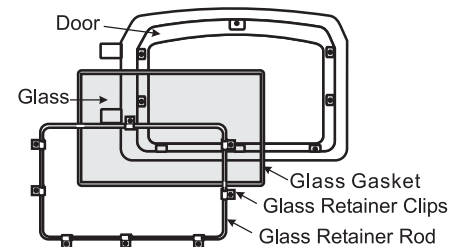
Your Regency stove is supplied with 5 mm Neoceram ceramic glass that will withstand the highest heat that your unit will produce. In the event that you break your glass by impact, purchase your replacement from an authorized Regency dealer only, and follow our step-by-step instructions for replacement.

Allow the stove to cool down before cleaning the glass, do not clean the glass when it is hot. Do not use abrasive cleaners.

### Glass Replacement

Allow the stove to cool before removing or replacing glass. Remove the door from the stove and remove the glass retainer. Use caution when removing broken glass to avoid injury. When placing the replacement glass in the door, make sure that the glass gasketing will properly seal your unit. Replace the retainer, it should rest on the gasket not the glass, and tighten securely, but do not wrench down on the glass as this may cause breakage.

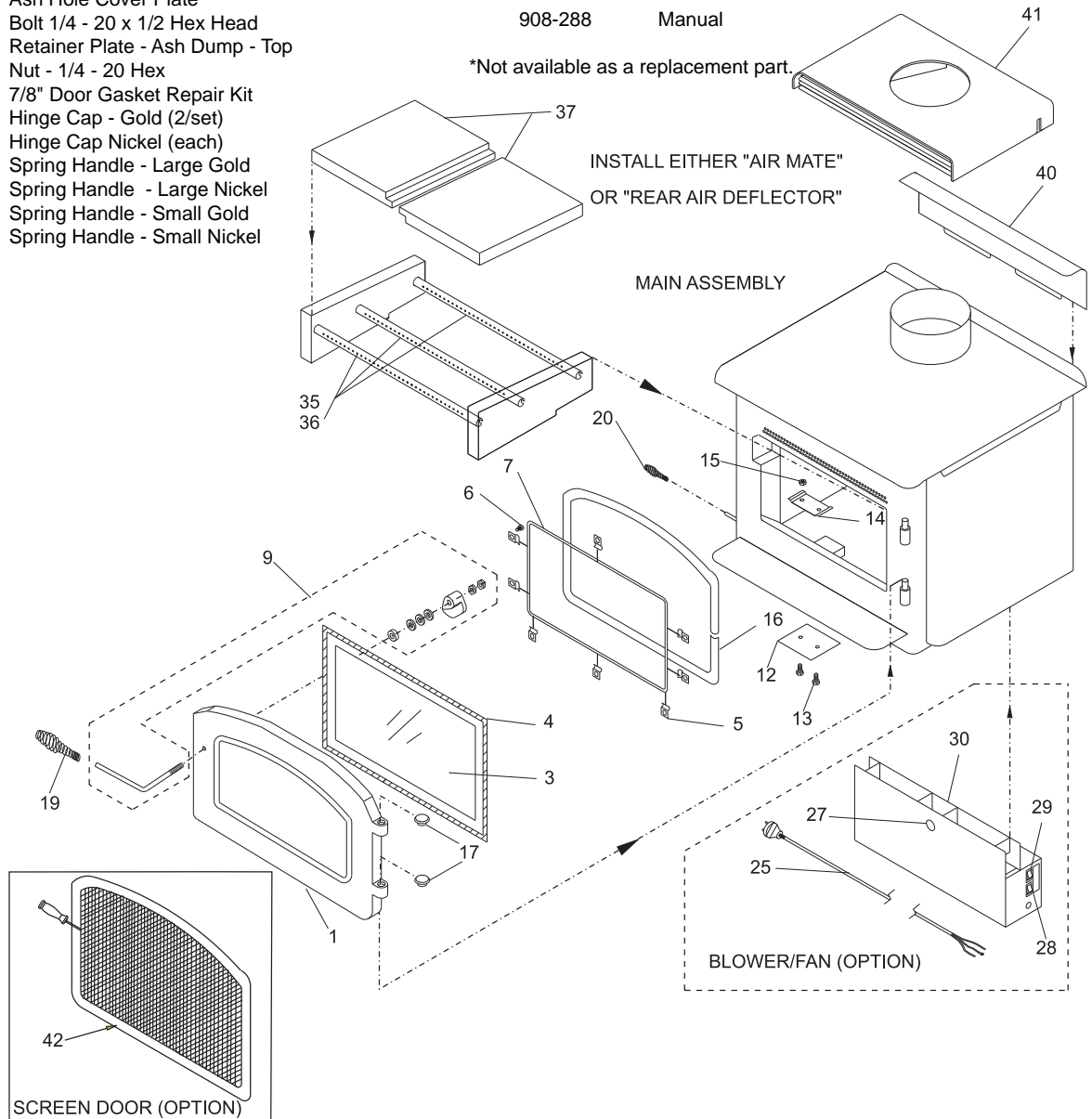
Do not use substitute materials. If your glass does break, do not continue to use your unit until it has been replaced.



# PARTS LIST

## F1100 & F3100 STOVE MAIN ASSEMBLY

Part #	Description	Part #	Description
1) 850-142	Door Assy - Gold F1100	846-515	Complete Fan/Blower Assy (120 V)
850-141	Door Assy - Black F1100	25) 910-684	Power Cord (120 V)
850-143	Door Assy - Nickel Accent F1100	27) 910-142	Thermodisc Fan AutoON/OFF
850-144	Door Assy - Gold Accent F1100	28) 910-138	Manual/Auto Switch (2-way)
		29) 910-140	Fan Speed Switch HI/OFF/LOW (3-way)
850-152	Door Assy - Gold F3100	30) 910-157/P	Fan/Blower Motor (120 V)
850-151	Door Assy - Black F3100	35) 063-954	Air Tube - 1" F3100 (Qty:1)
850-153	Door Assy - Nickel Accent F3100	074-954	Air Tube - 1" F1100 (Qty: 1)
850-154	Door Assy - Gold Accent F3100	36) 033-953	Air Tube - 3/4" F1100 (Qty: 1)
		063-953	Air Tube - 3/4" F3100 (Qty: 3) (each)
3) 846-302	Glass - Replacement - Small/Medium F1100	37) 073-955	Baffle (set) F1100
846-304	Glass - Replacement - Large F3100	063-955	Baffle (set) F3100
4) 936-243	7/8" Adhesive Tape Gasket	40) 815-557	Rear Air Deflector- F1100
5) 846-920	Glass Retainer Clips (8/set)	815-558	Rear Air Deflector - F3100
6) *	Screw - 1/4 - 20 x 3/8"	41) 850-105	Airmate - Sm/Med. F1100
7) 948-170/P	Small Glass Retainer F1100	850-305	Airmate - Large F3100
948-172/P	Large Glass Retainer F3100	42) 846-101	F1100 Door Screen
9) 846-973	Door Handle Assembly	846-103	F3100 Door Screen
12) 820-375	Ash Hole Cover Plate		
13) *	Bolt 1/4 - 20 x 1/2 Hex Head	908-288	Manual
14) 820-376	Retainer Plate - Ash Dump - Top		
15) *	Nut - 1/4 - 20 Hex		
16) 846-570	7/8" Door Gasket Repair Kit		
17) 846-918	Hinge Cap - Gold (2/set)		
948-079	Hinge Cap Nickel (each)		
19) 948-101	Spring Handle - Large Gold		
948-135	Spring Handle - Large Nickel		
20) 948-102	Spring Handle - Small Gold		
948-136	Spring Handle - Small Nickel		





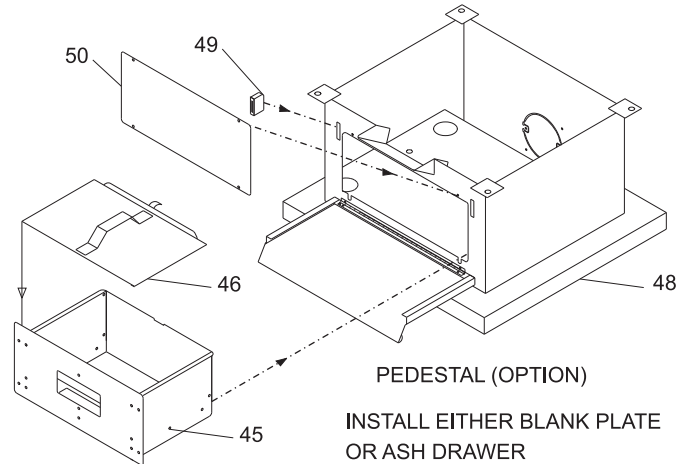
## PEDESTAL, BOTTOM SHIELD & LEG OPTIONS

Part #	Description
48) 850-115	Pedestal - Small
850-315	Pedestal - Large
49) 904-257	Large Magnet Catch
50) *	Blanking Plate - Pedestal
850-100	Ashdrawer Kit - Pedestal
45) *	Ashdrawer - Pedestal
46) *	Ashdrawer Lid Assy
58) 942-110	Ash Plug
59) 820-249	Ash Plug Tool Handle
56) 850-121	Bottom Shield - Small
850-321	Bottom Shield - Large
57) *	Blanking Plate - Btm Shield
850-101	Ashdrawer Kit - Btm Shield
55) *	Ashdrawer - Bottom Shield
58) 942-110	Ash Plug
59) 820-249	Ash Plug Tool Handle
140) 850-126	Legs - Cast Black
850-127	Legs - Cast Gold
850-128	Legs - Cast Brush Nickel
948-216	Regency Logo - Gold
948-223	Regency Logo - Nickel

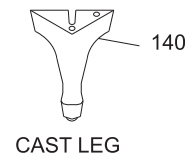
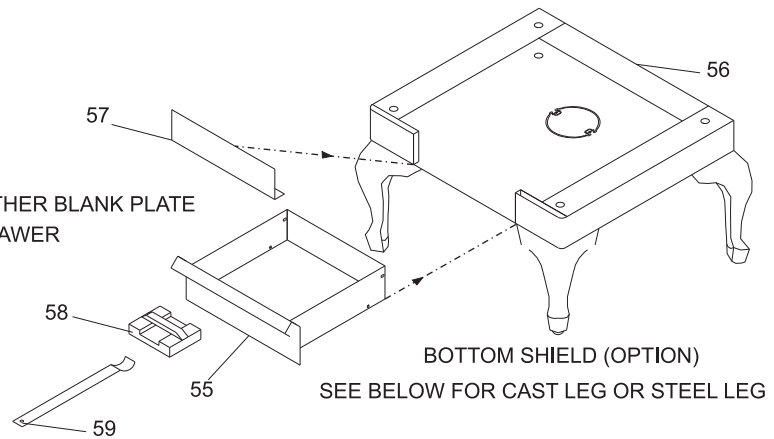
\*Not available as a replacement part.

INSTALL EITHER "BOTTOM SHIELD (OPTION)" OR "PEDESTAL (OPTION)"

BOTTOM SHIELD WITH BLACK CAST LEGS ARE ALREADY INCLUDED IN F2101, F3101



INSTALL EITHER BLANK PLATE OR ASH DRAWER

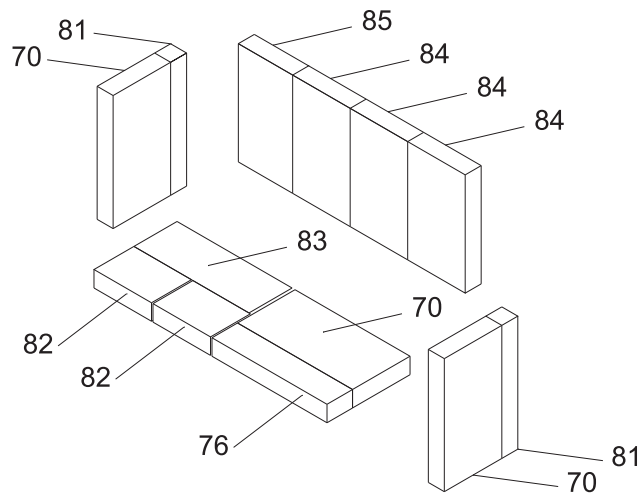


# PARTS LIST

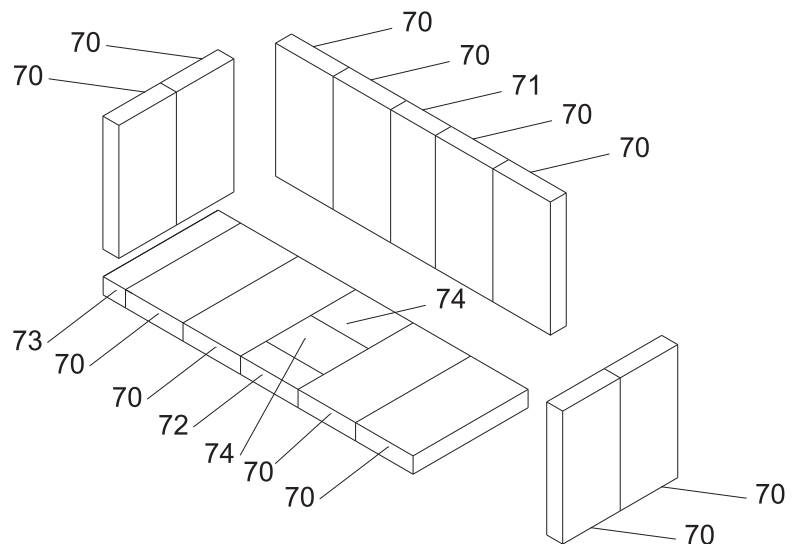
## FIREBRICK

Part #	Description
073-960	F1100 Brick Set - Complete
063-960	F3100 Brick Set - Complete
70)	902-111 Brick - Regular Full Size: 1-1/4" x 4-1/2" x 9"
71)	* Brick Partial: 1-1/4" x 4" x 9"
72)	* Brick Partial: 1-1/4" x 2" x 4-1/2"
73)	* Brick Partial: 1-1/4" x 1-3/4" x 9"
74)	* Brick Partial: 1-1/4" x 4-1/2" x 3-1/2"
76)	* Brick Partial: 1-1/4" x 2" x 9"
77)	* Brick Partial: 1-1/4" x 3-1/4" x 9"
78)	* Brick Partial: 1-1/4" x 4-1/2" x 3-1/4"
79)	* Brick Partial: 1-1/4" x 4-1/2" x 2-1/4"
80)	* Brick Partial: 1-1/4" x 6-1/2" x 2-1/4"
81)	* Brick Partial: 1-1/4" x 1-1/4" x 9"
82)	* Brick Partial: 1-1/4" x 3-1/8" x 4-1/2"
83)	* Brick Partial: 1-1/4" x 3-3/8" x 9"
84)	* Brick Partial: 1-1/4" x 4-1/2" x 8"
85)	* Brick Partial: 1-1/4" x 4-1/4" x 8"

\*Not available as a replacement part.



### FREESTANDING - SMALL - F1100



### FREESTANDING - LARGE - F3100







Regency Fireplace Products are designed with reliability and simplicity in mind. In addition, our internal Quality Assurance Team carefully inspects each unit thoroughly before it leaves our door. FPI Fireplace Products International Ltd. is pleased to extend this limited lifetime warranty to the original purchaser of a Regency Product. This warranty is not transferable.

**The Warranty:** Lifetime

Covered under the agreement are the following components:

Firebox, ceramic baffle, vermiculite baffle, steel baffles (H2100), convector airmate, castings, ashdrawer, glass (thermal breakage), gold plating (against defective manufacture), airtubes (against warpage) and door handles.

The above will be covered for parts and subsidized labour for the first five years and parts only thereafter with the exception of the fireboxes (see below).

FPI is not liable for freight or labor on any wood burning appliance replaced in field.

Electrical components such as blowers, switches and thermdisc's are covered for two years parts and one year subsidized labour\* from date of purchase.

Repair/replacement parts purchased by the consumer from FPI after the original coverage has expired on the unit will carry a 90 day warranty, valid with a receipt only. Any item shown to be defective will be repaired or replaced at our discretion. No labor coverage is included with these parts.

**Conditions:**

Any part or parts of this unit which in our judgement show evidence of such defects will be repaired or replaced at FPI's option, through an accredited distributor or agent provided that the defective part be returned to the distributor or agent **Transportation Prepaid**, if requested.

It is the general practice of FPI to charge for larger, higher priced replacement parts and issue credit once the replaced component has been returned to FPI and evaluated for manufacturer defect.

The authorized selling dealer is responsible for all in-field service work carried out on your Regency product. FPI will not be liable for results or costs of workmanship from unauthorized service persons or dealers.

At all times FPI reserves the right to inspect product in the field which is claimed to be defective.

All claims must be submitted to FPI by authorized selling dealers. It is essential that all submitted claims provide all of the necessary information including customer name, purchase date, serial #, type of unit, problem, and part or parts requested, without this information the warranty will be invalid.

**Exclusions:**

This limited Lifetime Warranty does not extend to or include paint, door or glass gasketing, firebrick or trim. It does not cover installation and operational related problems such as over-firing, use of corrosive driftwood, downdrafts or spillage caused by environmental conditions, nearby trees, buildings, hilltops, mountains, inadequate venting or ventilation, excessive offsets, negative air pressures caused by mechanical systems such as furnaces, fans, clothes dryers etc.

At no time will FPI be liable for any consequential damages which exceed the purchase price of the unit. FPI has no obligation to enhance or modify any unit once manufactured. ie. as products evolve, field modifications or upgrades will not be performed.

FPI will not be liable for travel costs for service work.

Installation and environmental problems are not the responsibility of the manufacturer and therefore are not covered under the terms of this warranty policy.

Any unit which shows signs of neglect or misuse is not covered under the terms of this warranty policy.

The warranty will not extend to any part which has been tampered with or altered in any way, or in our judgment has been subject to misuse.

Freight damage to stoves and replacement parts is not covered by warranty and is subject to a claim against the freight carrier by the dealer.

FPI will not be liable for acts of God, or acts of terrorism, which cause malfunction of the appliance.

Performance problems due to operator error will not be covered by this warranty policy.

Products made or provided by other manufacturers and used in conjunction with the operation of this appliance without prior authorization from FPI, may nullify your warranty on this product.

\* Subsidy according to job scale as predetermined by FPI.



Regency fireplace products are designed with reliability and simplicity in mind. In addition, our internal Quality Assurance Team carefully inspects each unit thoroughly before it leaves our door.

Fireplace Products International Ltd. is pleased to extend this Limited Lifetime Warranty to the original purchaser of a Regency Product.

See the inside back cover for details.

Register your Regency online at  
<http://www.regency-fire.com>

*Installer: Please complete the following information*

Dealer Name & Address: \_\_\_\_\_

\_\_\_\_\_

Installer: \_\_\_\_\_

Phone #: \_\_\_\_\_

Date Installed: \_\_\_\_\_

Serial No.: \_\_\_\_\_