

# Classic Collection

## Woodbridge Gas Fireplaces



### 12" Deep Direct Vent Gas Fireplace

- \* Traditional fireplace with a minimalistic look
- \* Rear vented for simplicity of installation
- \* Safety screen and reflective enamelled rear panel
- \* Available with various glass burner media to compliment any contemporary room

**DV 1800 Model**  
shown with optional Log Set

DV 1800 (E)



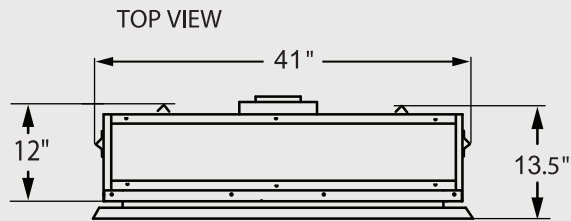
# Classic Collection

## Woodbridge Gas Fireplaces



# DV1800(E) Gas Fireplace

### Dimensions:



Optional glass media (replaces standard embers)

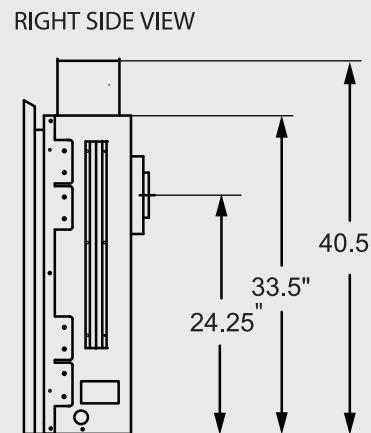
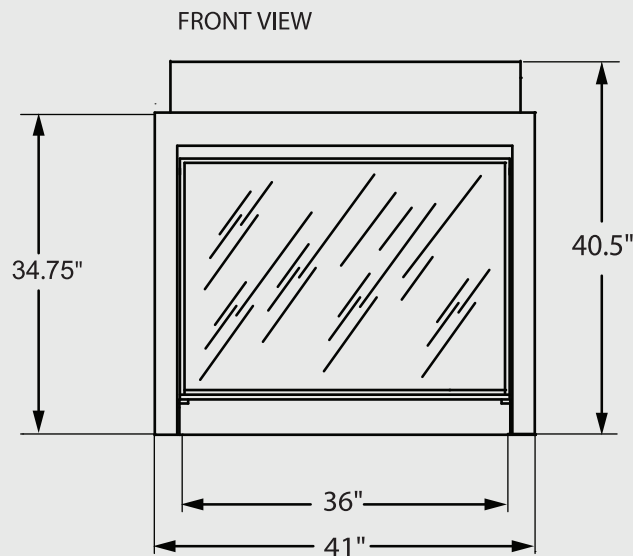


### Standard features:

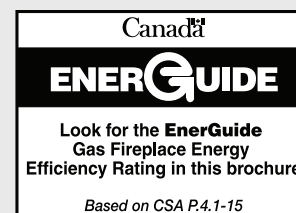
- \* Glowing ember burner media.
- \* Black reflective enamelled rear panel.
- \* Standing Pilot with battery powered igniter.
- \* Ceramic glass front with built-in safety screen.
- \* On/Off Wall Switch.
- \* Stainless steel flex connector and gas shut-off valve.
- \* Burner and heavy gauge welded firebox are covered by Lifetime Warranty.
- \* Operates without electricity to provide heat during a power failure.

### Available options:

- \* Realistic glowing 7 pc. log set.
- \* Various colour burner glass media (replaces embers).
- \* On/Off remote control with timer.
- \* LCD wall thermostat.
- \* Electronic ignition system  
*(Requires electricity or batteries to operate).*
- \* 130 C.F.M. thermostat activated blower.
- \* DirectVent Pro rigid venting components  
(depends on installation requirements).



Report # 0401GF019S



### DV1800N,P(E) specifications:

Gas Input Rate ..... 16 - 25,000 Btu/h (NG)  
 18 - 25,000 Btu/h (LP)  
 Efficiency ..... up to 70%  
 EnerGuide FE Rating .... 59.10% (N), 57.43% (P)  
 61.32% (N-E), 59.33% (P-E)

