

# Contemporary Collection

## Woodbridge Gas Fireplaces



### 10" Deep Direct Vent Gas Fireplace

- \* Traditional fireplace with a minimalistic look
- \* Ideal for condos and small rooms
- \* Shallow framing depth requirement
- \* Rear vented for simplicity of installation
- \* Can be installed into a large wood burning fireplace like a gas insert
- \* Standing pilot or electronic ignition models available for both Natural Gas and Propane
- \* Safety screen and reflective enamelled rear panel
- \* Available with various glass burner media to compliment any contemporary room

BDV 1400 (E), HDV 1400 (E)



**HDV 1400 Model** shown  
with optional Log Set

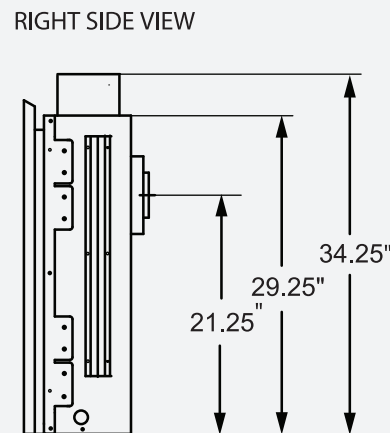
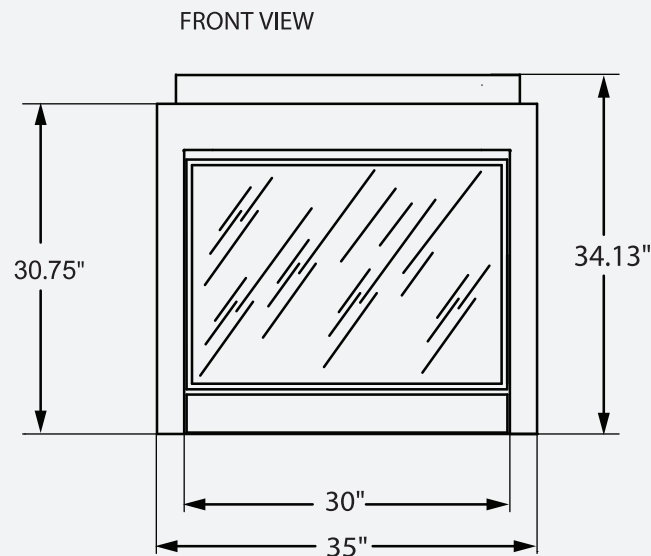
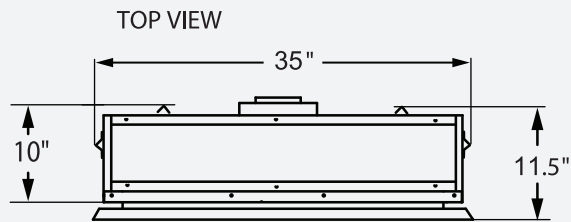
# Contemporary Collection

## Woodbridge Gas Fireplaces



# DV1400(E) Gas Fireplace

### Specifications:



### STANDARD FEATURES

- Durable ceramic glass viewing area (HDV 1400).
- Tempered glass viewing area (BDV 1400).
- Glowing ember burner media.
- Black enamelled reflective rear panel. Safety screen.
- Electronic ignition system.
- On/Off remote control with timer.

### AVAILABLE OPTIONS

- Realistic 5 pc. hand-detailed log set.
- Various glass burner media. Brushed stainless steel outer face.
- 130 C.F.M. thermostat activated blower.
- Chimney liner kit with vent adapter for installation into a wood burning fireplace
- Standing pilot system with battery powered ignition.



Optional glass media (replaces standard embers)



### BDV1400N,P(E) Model:

Gas Input Rate ..... 14,000 Btu/h (NG)  
 14,000 Btu/h (LP)  
 Efficiency (Flue Loss) ..... up to 75%  
 EnerGuide FE Ratings:  
 65.59% (BDV1400NE), 64.07% (BDV1400PE)

### HDV1400N,P(E) Model:

Gas Input Rate ..... 18,000 Btu/h (NG)  
 17,000 Btu/h (LP)  
 Efficiency (FlueLoss) ..... up to 80%  
 EnerGuide FE Ratings:  
 67.20% (HDV1400NE), 70.16% (BDV1400PE)

