

Outdoor Collection

Woodbridge Gas Fireplaces



ALGONQUIN

Outdoor Gas Fireplace

ALGONQUIN



Outdoor Collection

Woodbridge Gas Fireplaces

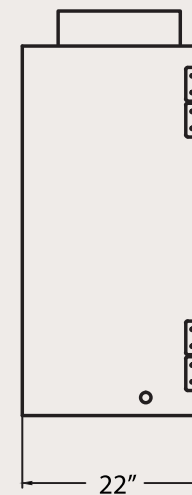
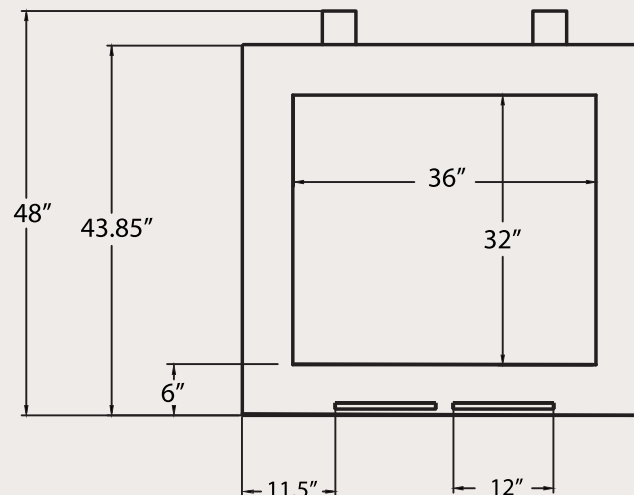


ALGONQUIN

* The ALGONQUIN outdoor fireplace will impress you with its large 36" wide by 32" high viewing area surrounded by a 6" border of heavy gauge brushed stainless steel.

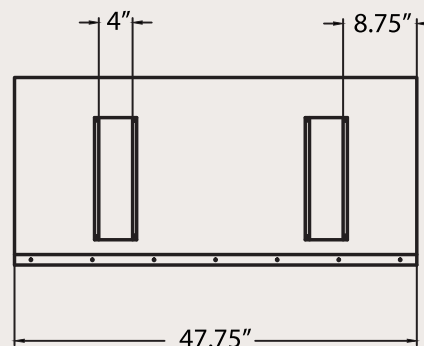
* The interior features an extremely realistic log set placed on heavy stainless grate over coloured glass ember bed.

* Turn it on in the evening and you will be captivated by the spectacular reflection of flame that appears on every surface of the ALGONQUIN's interior.

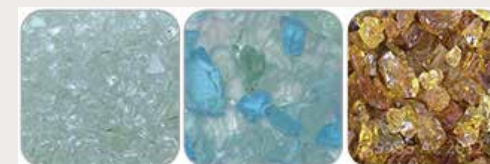


Standard Features

- * Gas Input Rate 60,000 Btu/h for Nat. Gas and LP
- * Can be framed in wooden structure and finished with non-combustible materials.
- * Extremely realistic 7 piece high temperature cement log set and glass ember bed (see colour options below).
- * High grade 304 stainless steel construction.
- * Dynamic flame reflection from ember bed and brushed stainless steel interior.
- * Stainless steel flex connector and gas shut-off valve.
- * Electronic ignition system.
- * Remote control or On/Off switch.
- * Limited Lifetime Warranty on burner and firebox.



Burner Media options:



Clear Glass

Green/Blue Glass

Amber Glass



Amethyst Glass

Black Glass

Dark Green Glass

Please refer to Owners Manual for installation instructions



Report # 0401GM016S

SHOWROOM OPEN TO THE PUBLIC:

1305 Meyerside Dr,
Mississauga, ON L5T 1C9
Phone: (905) 564-3001

www.woodbridgefp.com

Courtneypark Dr. East

