

Outdoor Collection

Woodbridge Gas Fireplaces



FIRE TABLE

FIRE TABLE

Outdoor Gas Fireplace

Red powder coated
model shown

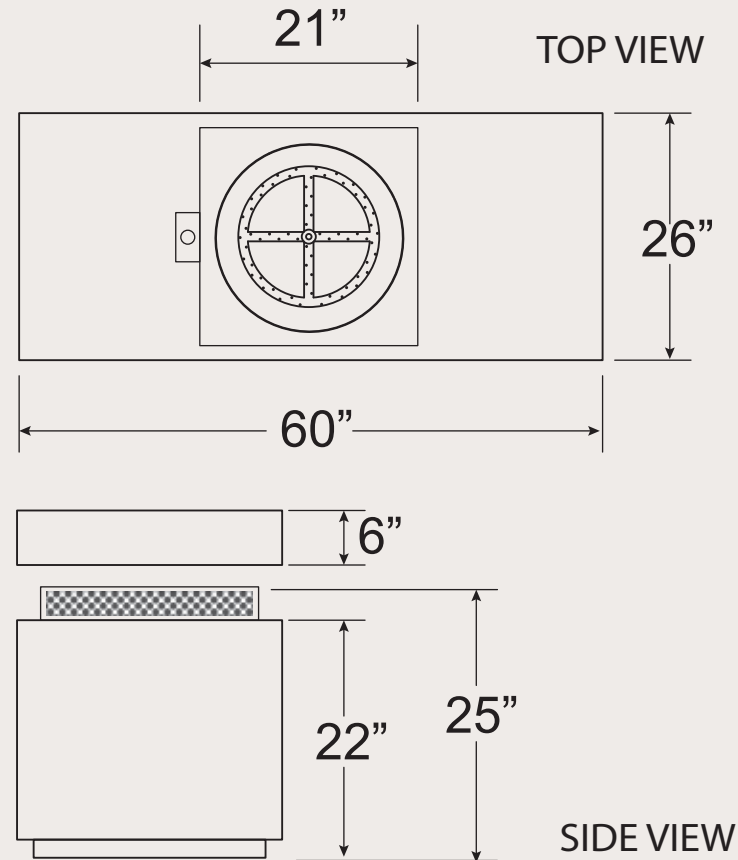
The Fire Table will extend your outdoor entertaining season by creating warmth and a functional seating area.

Outdoor Collection

Woodbridge Gas Fireplaces



FIRE TABLE



Standard Features:

- * Natural Gas (60,000 Btu/h) or Propane (54,000 Btu/h) models
- * Red powder coated or stainless steel Fire Table versions
- * Heavy duty vinyl cover protects from outdoor elements
- * Various glass and stone media options for the burner area (*see above*)
- * Stainless steel 1/2" x 48" flex connector and gas shut-off valve
- * Safety pilot system
- * Limited Lifetime Warranty on 304 stainless steel burner



Report # 401-O-04-5

Please refer to Owner's Manual for installation instructions

SHOWROOM OPEN TO THE PUBLIC:

1305 Meyerside Dr,
Mississauga, ON L5T 1C9
Phone: (905) 564-3001

www.woodbridgefp.com

