

Outdoor Collection

Woodbridge Gas Fireplaces



SS-36, SS-48

Outdoor Gas Fireplaces

Model SS-48 shown

This beautiful gas fireplace will enhance and extend your outdoor living experience. Manufactured from 304 brushed stainless steel to withstand all outdoor elements through the test of time.



SS-36, SS-48



Outdoor Collection

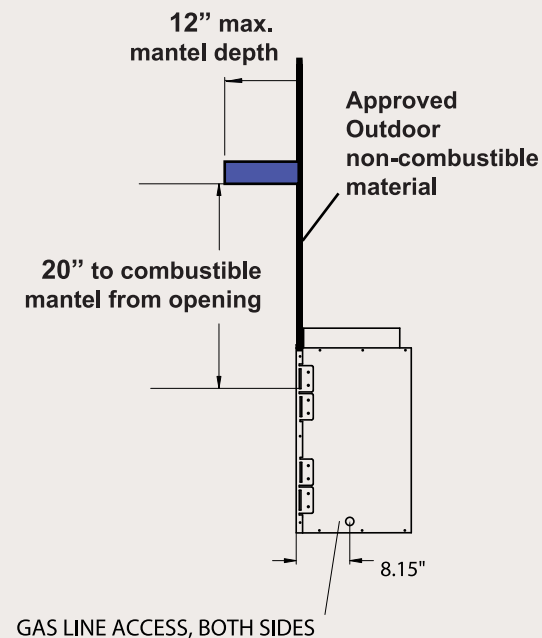
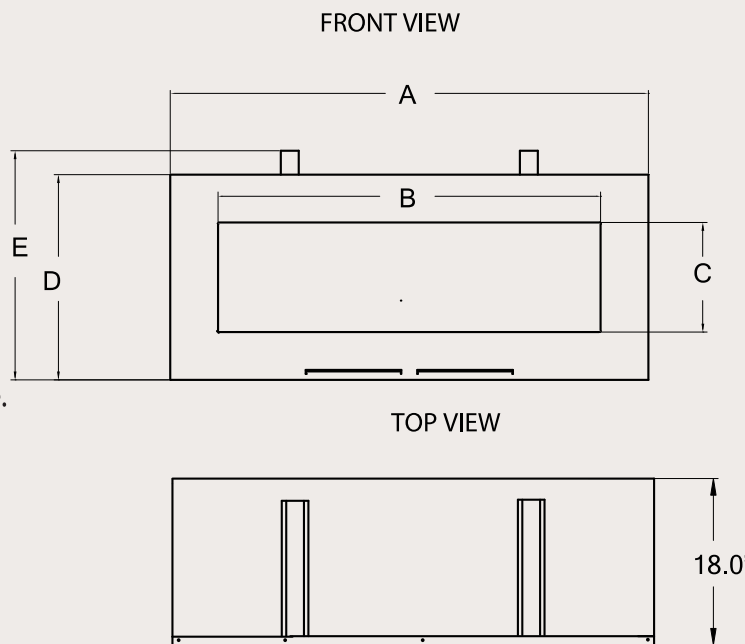
Woodbridge Gas Fireplaces



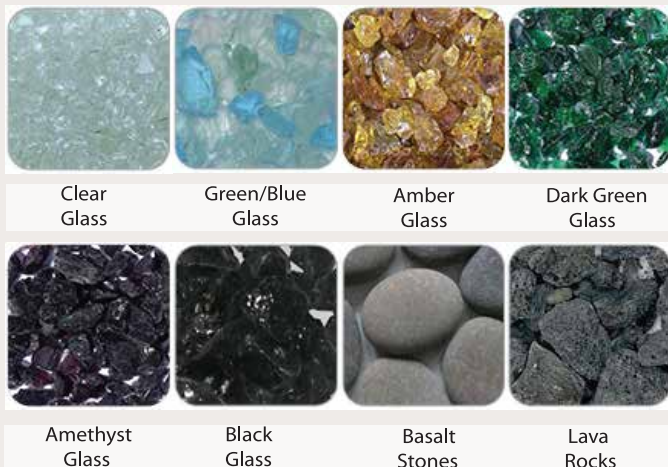
SS-36, SS-48

Standard Features

- * Can be framed in wooden structure and finished with non-combustible facing materials.
- * Ceramic glass wind baffle.
- * High grade 304 stainless steel construction.
- * Dynamic flame reflection from ember bed and brushed stainless steel chamber.
- * Stainless steel flex connector and gas shut-off valve.
- * Electronic ignition system.
- * Remote control or On/Off switch.
- * Limited Lifetime Warranty on burner and firebox.



Media options:



Dimensions for SS-36:

A=48" B=36" C=17.63" D=29.75" E=33.75"

Dimensions for SS-48:

A=60" B=48" C=13.75" D=25.75" E=29.75"

Please refer to Owners Manual for installation instructions

Specifications

Model: SS-36 SS-48

Gas Input Rate NG, Btu/h	40,000	60,000
LP, Btu/h	38,000	56,000



Report # 0401GF006S

SHOWROOM OPEN TO THE PUBLIC: Courtneypark Dr. East

1305 Meyerside Dr,
Mississauga, ON L5T 1C9
Phone: (905) 564-3001

www.woodbridgefp.com