

BIOFIREPLACES

BIOFIREPLACES IMPULSE



Manual number # edition : I0086#03, date: 15.05.2008

TABLE OF CONTENTS

1. Product's description	
a. General characteristic	2
b. Range of use	2
c. Material specification	3
d. Dimensions	3
2. Safety	4
3. Installation	6
4. Maintenance	10
5. Cleaning and conservation	12
6. Additional information	12
a. Technical data	12
b. Utilization and recycling	12

Acquaintance with this document is obligatory.

1. Product's description

a. General characteristic

The product is a modern appliance, that combines all advantages of a traditional fireplace without its disadvantages.

Its little weight in comparison to traditional fireplaces allows to assemble and use it fast.

The use itself is very easy and a change of its location causes no problems.

The Biofireplaces Impulse is a decorative appliance creating a nice atmosphere.

b. Range of use

The Biofireplace Impulse does not need any flue installation and that is why it can be used in all accommodation having an efficient ventilation system, as well as the cubature.

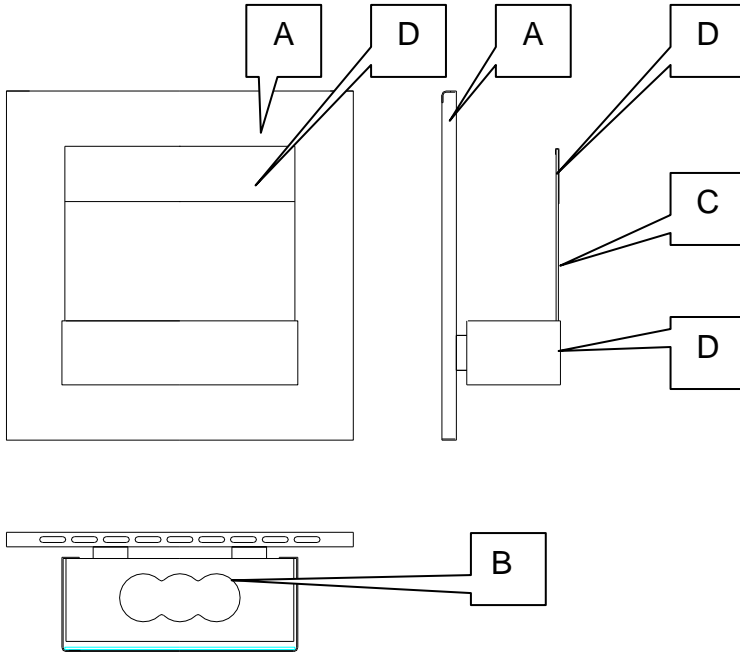
The lack of flue installation have an effect that all heat remains in the room.

The use of the Biofireplace Impulse is clean and hygienic and thanks to the use of ecological fuel on the alcohol basis, it does not require removal of combustion remains such as ashes or soot.

The Biofireplaces Impulse is for the indoor use only.

The Biofireplace Impulse is not a heating appliance.

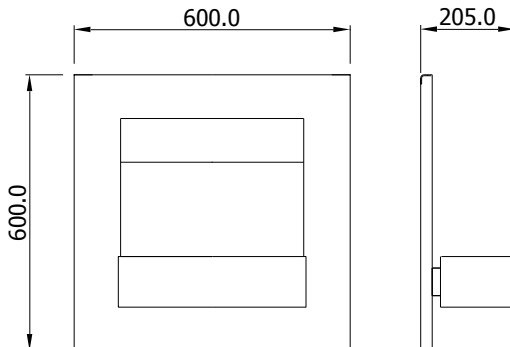
c. Material specification



Biofireplaces construction materials:

- A. - Body – construction steel painted with a powder, temperature resistant paint
- B. - Biofireplaces elements – stainless, acid-proof steel, painted with a heat-proof paints.
- C. - Shield – tempered, lacquered glass
- D. - Decorative elements – stainless, acid-proof steel, polished.

d. Dimensions



2. Safety

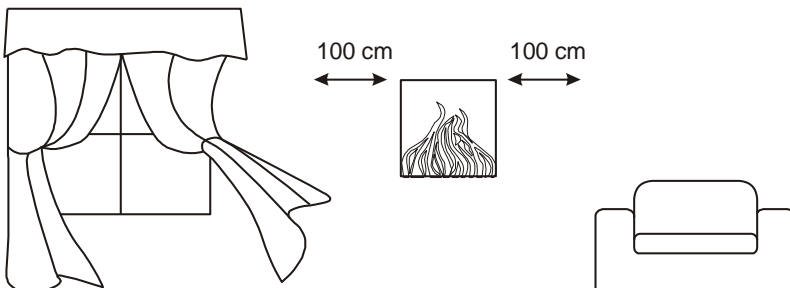
In this chapter there are information concerning appropriate Biofireplaces exploitation.

Complying with the following safety recommendations allows to avoid product's damages, arising dangerous situations as well as bodily injury.

To ensure safe and appropriate use of Biofireplaces proceed according to the following guidelines.

Before assembling think about the mounting place for the Biofireplaces, taking into consideration the following rules:

- Do not expose to the outdoor conditions. Product is for the indoor use only ;
- Do not use the product in a room of an area below 23m² (approximate cubature 56m³).
- There should be working ventilation system in a room where the Biofireplaces is used. You can support this ventilation with setting the window or door ajar.
- Light the Biofireplaces only in adult's keeping.
- Do not place the Biofireplaces in a big draught or close to big air blows or ventilators.
- Do not mount the product in places where potentially explosive atmosphere may occur (lacquer fumes, industrial dust etc.).
- Do not use faulty or mechanically damaged parts of Biofireplaces.
- Due to high surface temperatures, keep children, pets, clothing, and furniture away. The appliance is hot while in operation and contact with it may cause skin burns.
- Do not place anything inflammable in the closest surroundings and in 100cm radius (curtains, blinds etc.).



- Do not move the Biofireplaces when burning or still warm after use. Moving is possible only after burning the fuel completely and after cooling the fireplace down.
- Do not leave working Biofireplaces without adult's keeping.
- Do not repair or change the construction of the Biofireplaces by yourself.

Use recommended by the manufacturer fuel - FANOLA®.

- Using different fuels can result in producing a variety of gases during the burning process, which may cause a negative health effects.
- The fuel is poisonous and can not be consumed.
- Store the fuel in a place inaccessible for children, pets and all unauthorized person.
- **Definitely do not pour the fuel to the reservoir during burning!**

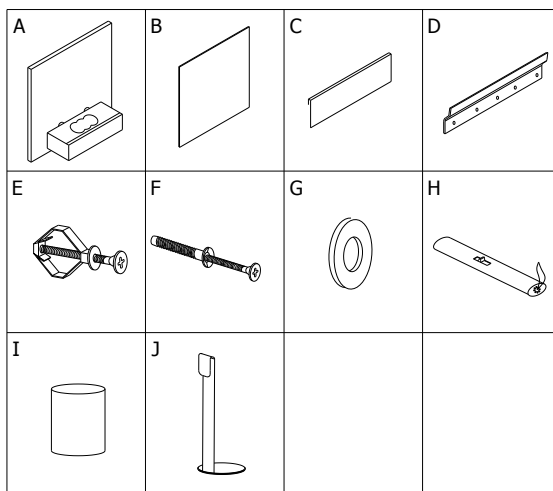


- Use fuel for this kind of Biofireplaces only.
- Do not put inside the fireplace things not provided by the producer.
- To use the Biofireplaces use accessories provided by the producer only, according to its purpose indicated in the manual.
- Do not touch heated elements of the Biofireplaces.
- Do not cover the Biofireplaces, ventilation slots etc. as it may cause a fire.

3. Installation

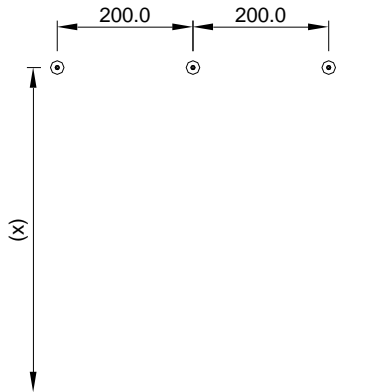
Before assembling the product read paragraph 2 of this handbook.
To make it properly do it accordingly to the following points:

3.1. Unpack all the elements and check it with the list below:

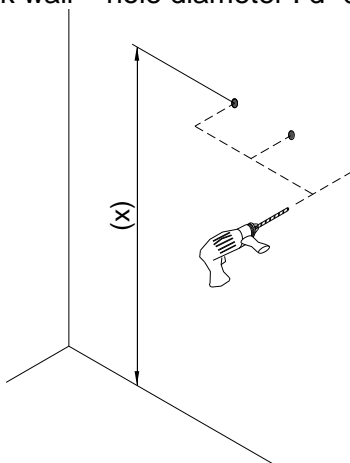


Designation	Name	Quantity	Use
A	Planika Fire body	1	Basic elements
B	Glass shield	1	
C	Decorative shield	1	
D	Upper fixing metal strip	1	
E	Stud+bracket screw type 1	3	Elements for mounting the fireplace to the wall
F	Stud+bracket screw type 2	3	
G	M6 washer	3	
H	Lighter	1	
I	Stainless steel cup	2	Usage elements
J	Metal tool	1	

- 3.2. Choose a place of assembly in accordance to the instructions from paragraph 2.
- 3.3. Fix the fixing metal strip [D] to the wall accordingly to following instructions:
Choose a place and a height (x) where the Biofireplaces is to be placed.
Mark the points on the wall to drill the holes accordingly to dimensions given on the illustration below.

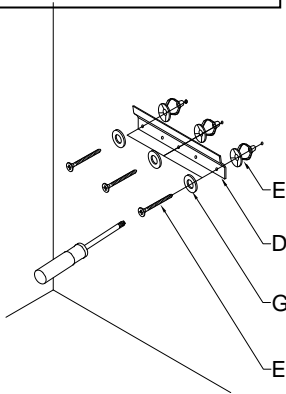


- 3.4. Using electric drill make the holes in previously marked points.
Depending on the material drill the holes :
- plasterboard wall – hole diameter : $d=1\text{cm}$;
 - concrete or brick wall – hole diameter : $d=0,8\text{cm}$, depth – 9cm

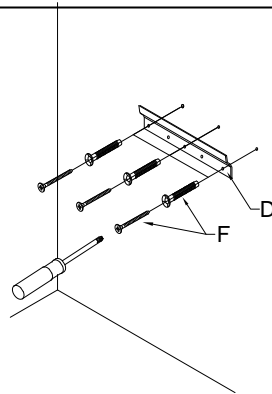


3.5. Fix the fixing metal strip keeping the order presented on the drawing below. Use 3 out of 5 holes – 2 external ones and one in the middle.

For the plasterboard wall



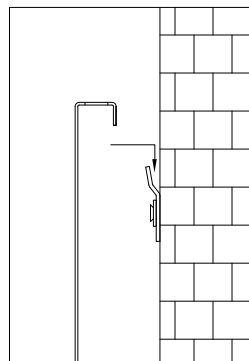
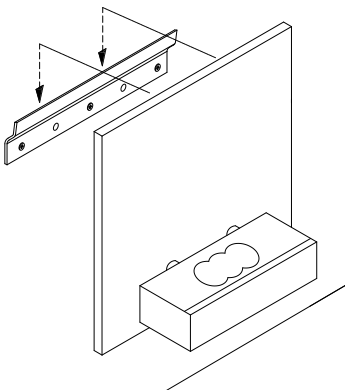
For the concrete or brick wall



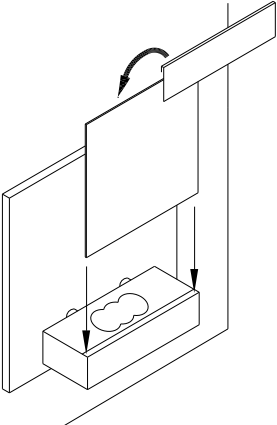
- Insert a stud [E] into the holes in the wall.
- Place the fixing metal strip [D] against the wall adjusting the position of the holes
- Screw the bracket screw [E] together with M6 washer [G].

- Place the fixing metal strip [D] against the wall adjusting the position of the holes.
- Insert the stud [F] through the fixing metal strip [D] into the wall.
- Screw the bracket screw [E].

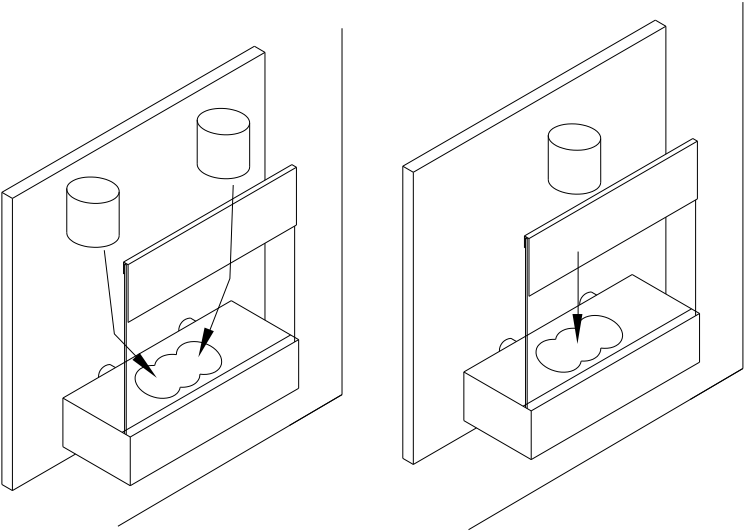
3.6. Mount the Biofireplaces on the wall accordingly to the drawings below.



3.7. Install the glass shield and the decorative shield as it is presented on the drawing below :



3.8. Place two cups in two external holes or one in the middle hole, depending on what visual effect do you want to achieve.



4. Maintenance

Before starting the Biofireplaces read paragraph 2 and 4 of this handbook carefully. Biofireplaces posiada dwa naczynia, w których spalane jest paliwo Fanola®.

CAUTION!

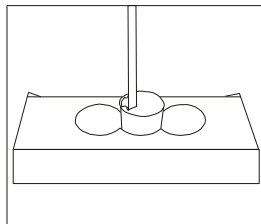
It is absolutely prohibited to pour the additional fuel during combustion as it may cause a fire or burns.



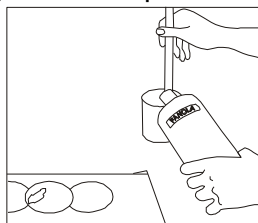
Be very careful when pouring FANOLA® fuel not to spill the fuel outside the stainless steel cup. However if the fuel is spilt outside the reservoir anyway, the moistened elements must be dried before igniting the flame.

To start a proper use act accordingly to the following points:

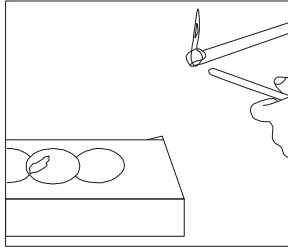
- 4.1. Using the metal tool [J] snatch the cup (I) and take it out of the Biofireplaces.



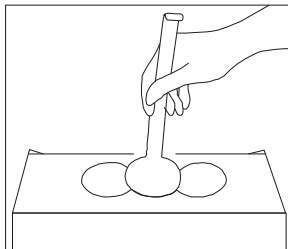
- 4.2. Holding metal tool (J), fill in the cup (I) with the Fanola® fuel (to max. level $\frac{3}{4}$ of cup capacity). Using metal tool (J) place the cup in the middle hole, or two cups in two external holes. Pay attention when pouring Fanola® not to spill it. Spilt fuel has to be wiped before igniting the Biofireplaces.



- 4.3. After placing the cup (I) inside the Biofireplaces the ending of the metal tool (J) will be wet with the fuel, rise it above the fireplace and using the lighter with extended tip fire it. Fire the fuel in the pot by bringing the metal tool closer to the fuel surface. After lighting the fuel, rise the metal tool and wait until the fire fades. When using two cups, fire the fuel only after placing both cups in the Biofireplaces.



- 4.4. To extinguish the flame put the metal tool [J], with its disc ending, to the stainless steel cup (I) and hold it in this position for a moment.



CAUTION!

Refilling the reservoir is possible only after the fuel is burnt completely. Before refilling it you should wait until the reservoir has cooled down – 5 minutes approximately.

5. Cleaning and conservation

Biofireplaces doesn't need any particular conservation except keeping cleanliness of casing elements in general. To clean the casing use soft, humid duster with delicate furniture caring remedy added. Clean the glass with available glass cleaners.

2. Additional Information

a. Technical data:

• Type	Biofireplace
• Model	Impulse
• Max. Heat output	3,7 kW
• Fuel container capacity	0,45 – 0,9 l
• Min. Room capacity	23 m ²
• Recommended fuel	FANOLA®
• Producer	PLANIKA

b. Utilization and recycling

Product is composed of construction steel, glass, stainless steel and other materials.

- Act accordingly to the utilization and recycling regulations of a given country.
- Used fuel containers throw into the plastic waste containers

If you have any technical problems or any other questions, please contact with your dealer.

You will find the newest information about our product, advise, updates and other useful data on our web site: www.biofireplaces.com